

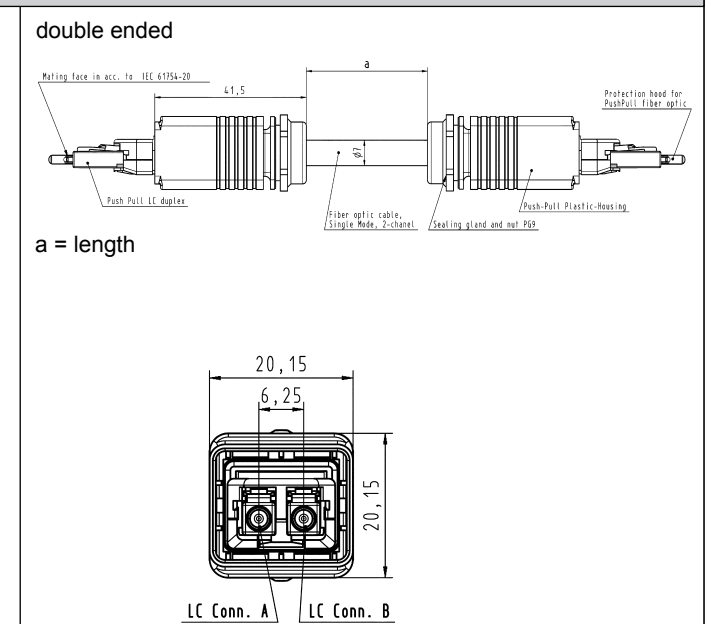
HARTING PushPull



Identification	Part No.	Drawing	Dimensions in mm
----------------	----------	---------	------------------

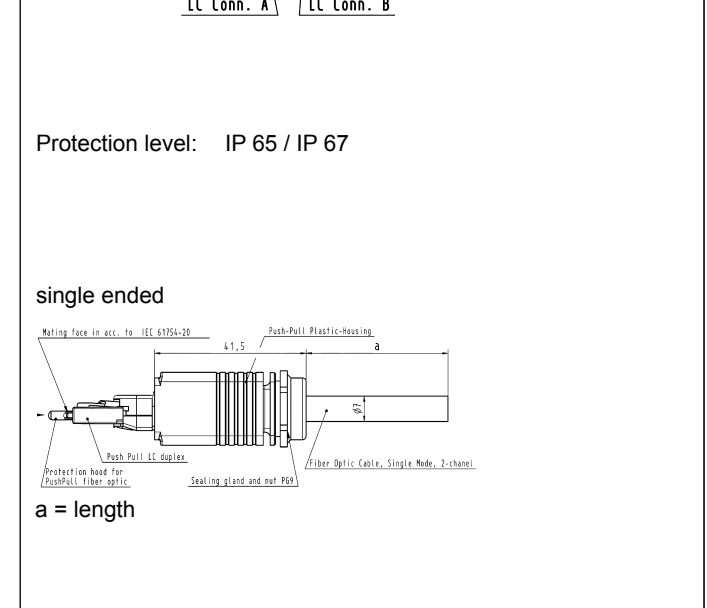
Fibre optic cable, double ended, single mode Length: a = 1 m a = 5 m a = 10 m a = 20 m a = 40 m a = 50 m a = 100 m	33 58 211 0010 002
	33 58 211 0050 002
	33 58 211 0100 002
	33 58 211 0200 002
	33 58 211 0400 002
	33 58 211 0500 002
	33 58 211 1000 002

double ended



Fibre optic cable, single ended, single mode Length: a = 1 m a = 5 m a = 10 m a = 20 m a = 40 m a = 50 m a = 100 m	33 58 111 0010 002
	33 58 111 0050 002
	33 58 111 0100 002
	33 58 111 0200 002
	33 58 111 0400 002
	33 58 111 0500 002
	33 58 111 1000 002

Protection level: IP 65 / IP 67
single ended



Fibre optic breakout cable, single mode Length: 10 m Length: 20 m Length: 100 m	33 58 751 0100 002
	33 58 751 0200 002
	33 58 751 1000 002

	PUR jacket
	2-fibre single mode
	Outer diameter: 6.5 mm
	Min. bending radius: 10.4 cm
	Installation: 5.2 cm