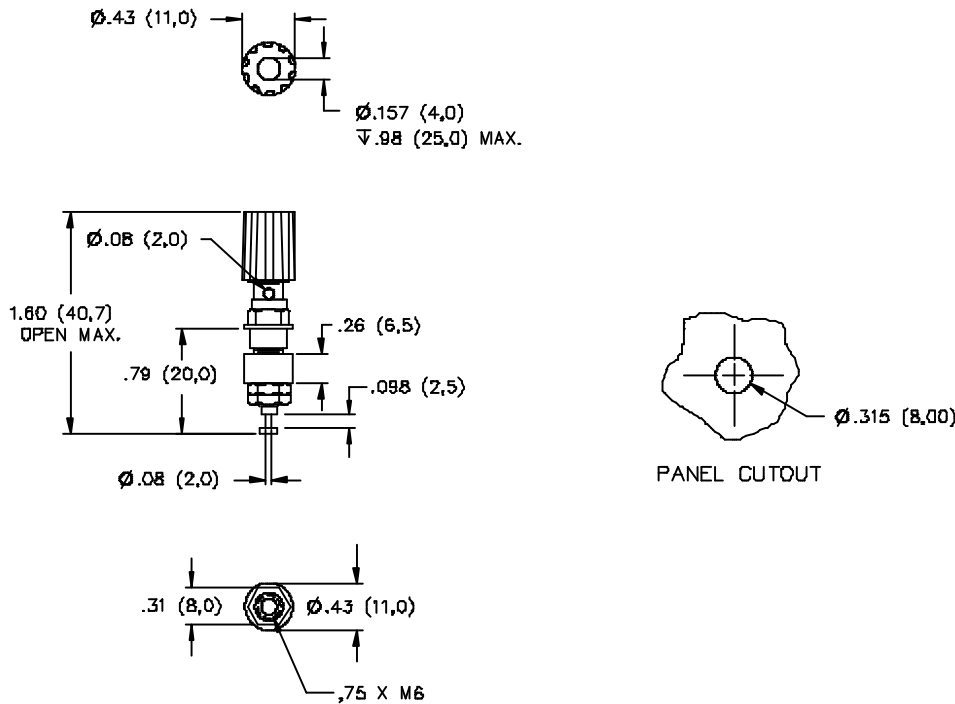


Pomona®

Model 5932
4MM Binding Post



Recommended Maximum Panel Thickness: .12" (3,0mm)

FEATURES:

- Five way binding post offers wire, banana plug, Pin Tip Plug, DMM probe tip and spade lug attachment
- Binding post is metric in design.
- Solder turret at bottom enables permanent wire attachment.

MATERIALS:

Insulator Body: Nylon

Banana Jack: Nickel Plated Brass

SPECIFICATIONS:

Operating Voltage: 750 VRMS Max.

Operating Current: 25 Amperes Max.

ORDERING INFORMATION: Model 5932-*

* = Color, Standard Colors: -0 Black, -2 Red, -4 Yellow, -6 Blue, -9 White

Sold in packages of 10 per color

All dimensions are in inches. Tolerances (except noted): .xx = ±.02" (.51 mm), .xxx = ± .005" (.127 mm).

All specifications are to the latest revisions. Specifications are subject to change without notice.

Registered trademarks are the property of their respective companies. Made in USA