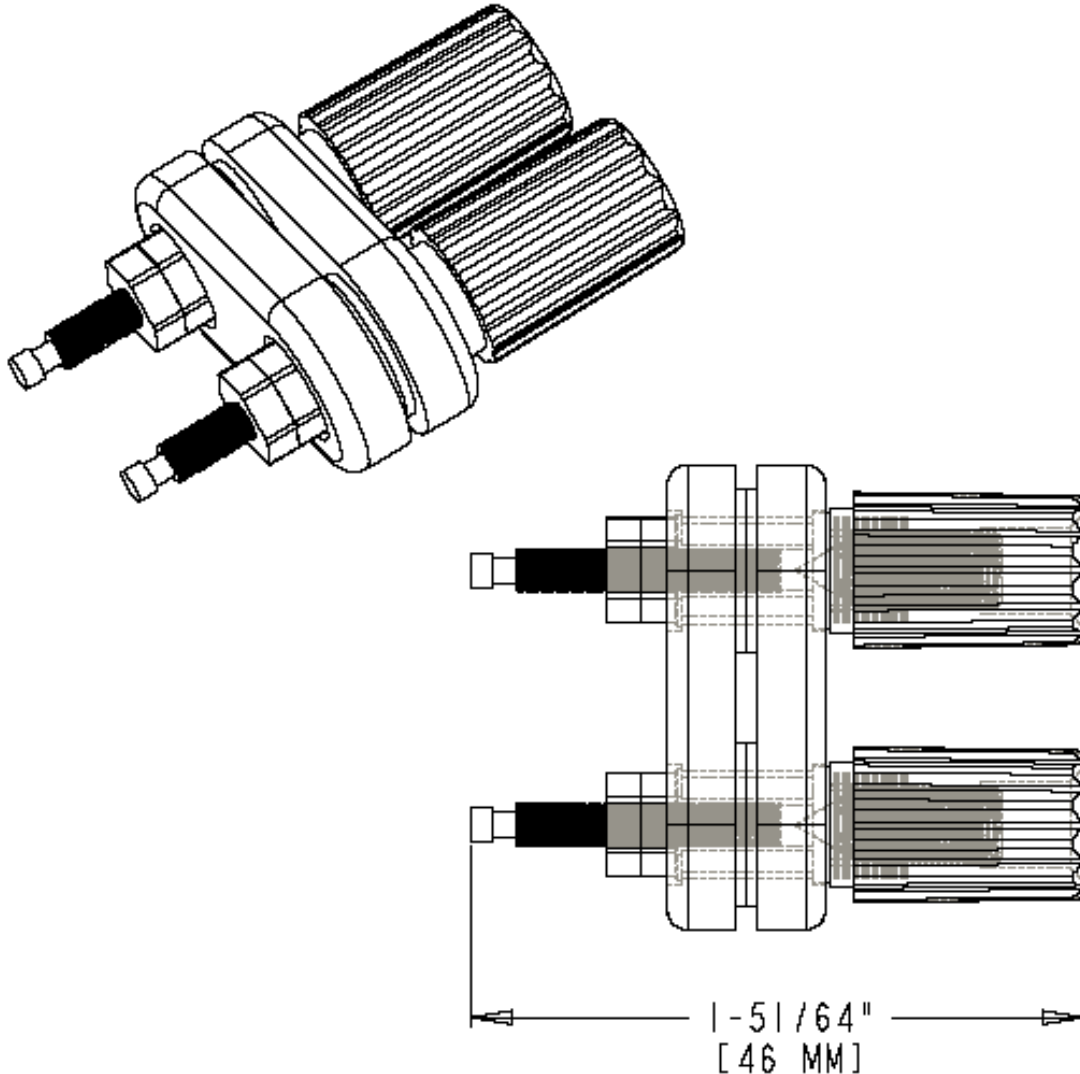




Part Number: BU-00283
Description: Dual Five Way Binding Post

3507



- Dual Five Way Binding Post
- Material: Post: nickel-plated brass; Insulator: nylon
- Length: 1.80" (46 mm)
- Rating: 15 Amps
- RoHS Compliant