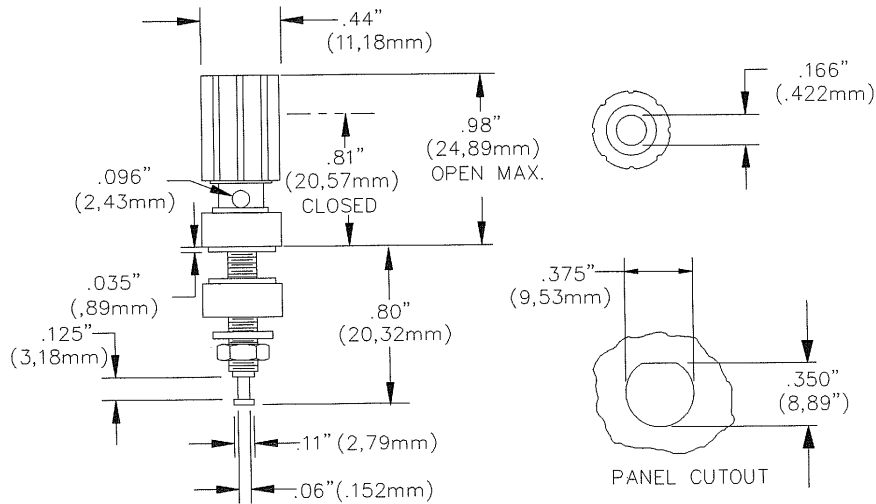


**MODEL: BU-P3770**

**Standard Binding Post**



Mounts in Panels between .070" and .250" (1.77-6.35) Thick  
Accepts Standard 4mm Banana plugs or bare wire or spade lugs

**MATERIALS:**

Body – Gold Plated Tellurium Copper

Insulator – Polycarbonate

**RATING:**

Current: 15 Amps

Voltage: Hands free testing to 2500VRMS Max.

Temperature: -50°C to 115°C