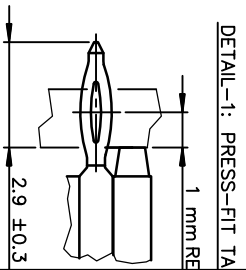
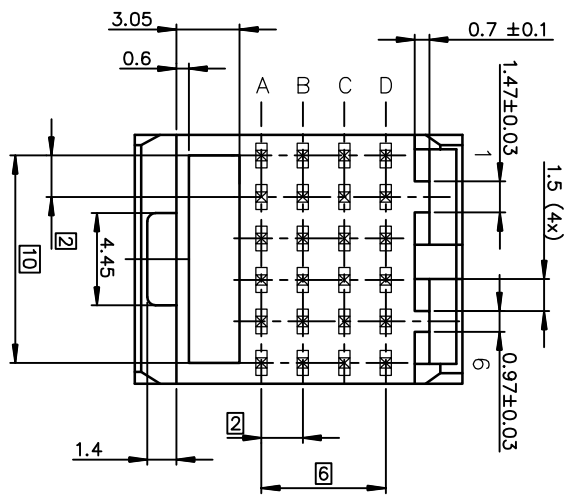
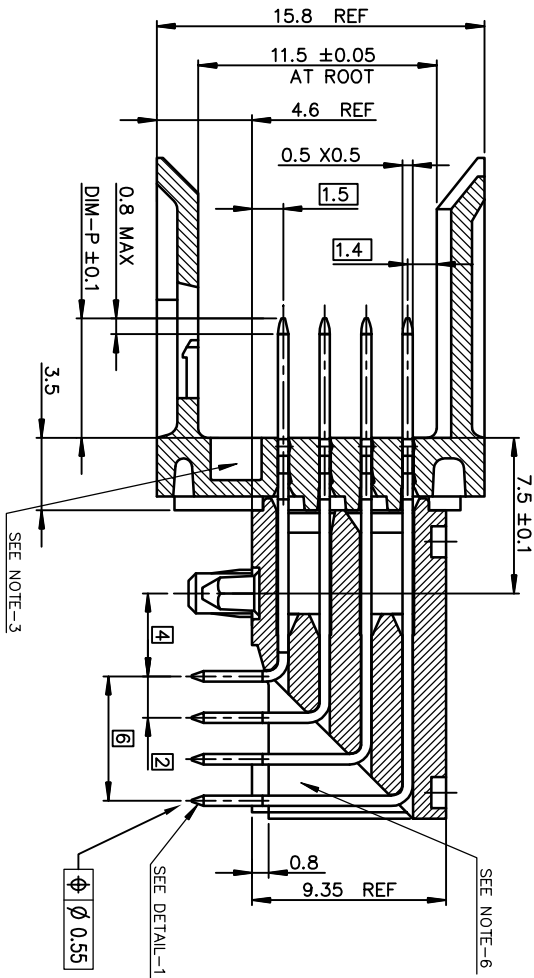
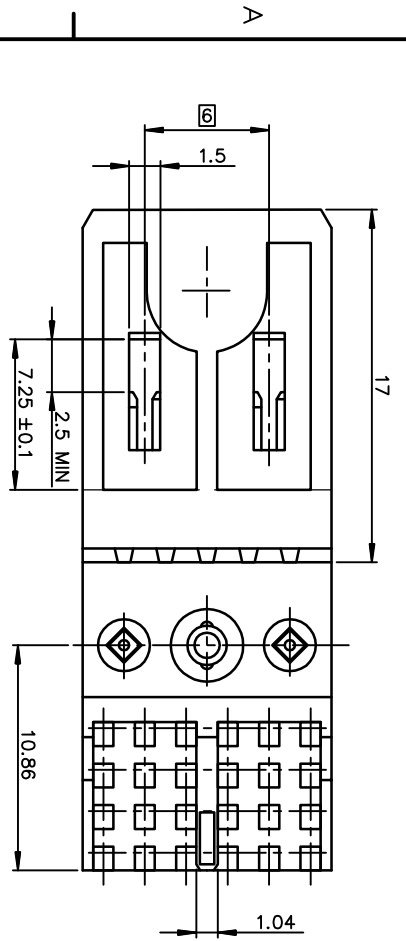
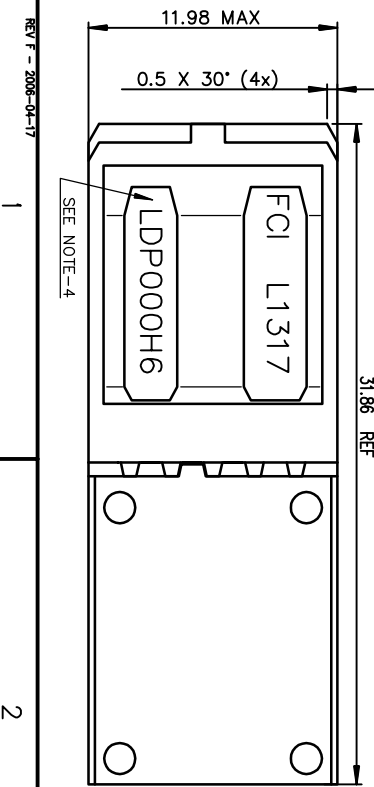


Copyright FCI.



GENERAL CHARACTERISTICS AND ROHS INFORMATIONS:  
SEE PRODUCT SPECIFICATION GS-12-445

NOTE-1: NOMINATIVE REF = IEC-61076-4-104  
NOTE-2: ONE CENTER PEG FOR HOLD DOWN FORCE  
NOTE-3: CODING RECESS FOR 8MM EXTENDED KEYS  
NOTE-4: PRODUCT MARKING = PRODUCT NUMBER + BATCH CODE + FCI  
FOR 1 MODULE SIZE/END OF PART NUMBER ONLY  
NOTE-5: CENTRAL WALL WITH END REAR SUPPORT  
NOTE-6: PACKAGING IN TRAY + COVER  
IF SUFFIX "P" IS ADDED IN P/N PACKAGING IS IN TRAYS  
BUT CONNECTOR MARKING IS WITHOUT "P"  
EXAMPLE: HM1XXXXXXXXXHP, MARKED HM1XXXXXXXXXXH6



rev	ech no	dr	date
G	LS06-0097	LGO	2006/07/12
H	LS07-0184	MLE	2007/07/25
J	DS09-0359	Canh	2009/11/18
K	DS10-0231	Canh	2010/06/18
L	DS-010291	Qinf	2012/02/14

Dr	CHAMPION	1994/04/05	ANGULAR
Eng	De-Feng Qin	2012/02/14	0.X
Chr	Flame Zeng	2012/02/14	0.XX ±2
Appr	PM Zheng	2012/02/14	Product family

surface	ISO 1302	tolerance std	ISO 406 ISO 1101	projection
ANGULAR	0.X	±0.1	size	A3
LINEAR	0.XX	±0.1	size	4:
	0.XXX	±0.1	size	EON

www.fciconnect.com  
METRAL RA HEADER WB  
CONVERGED 4x6 CTS-PF-PUSH PEG  
METRAL Spec ref -  
C-8626-0150  
CUSTOMER sheet 1 of 4

REV F - 2006-04-17

SEE NOTE-4

SEE NOTE-3

SEE NOTE-6

SEE NOTE-1

SEE NOTE-5

SEE NOTE-4

SEE NOTE-6

SEE NOTE-1

SEE NOTE-3

SEE NOTE-6

SEE NOTE-1

SEE NOTE-5

SEE NOTE-4

SEE NOTE-6

SEE NOTE-1

SEE NOTE-3

SEE NOTE-6

SEE NOTE-1

SEE NOTE-5

SEE NOTE-4

SEE NOTE-6

SEE NOTE-1

SEE NOTE-3

SEE NOTE-6

SEE NOTE-1

SEE NOTE-5

SEE NOTE-4

SEE NOTE-6

SEE NOTE-1

SEE NOTE-3

SEE NOTE-6

SEE NOTE-1

SEE NOTE-5

SEE NOTE-4

SEE NOTE-6

SEE NOTE-1

SEE NOTE-3

SEE NOTE-6

SEE NOTE-1

SEE NOTE-5

SEE NOTE-4

SEE NOTE-6

SEE NOTE-1

SEE NOTE-3

SEE NOTE-6

SEE NOTE-1

SEE NOTE-5

SEE NOTE-4

SEE NOTE-6

SEE NOTE-1

SEE NOTE-3

SEE NOTE-6

SEE NOTE-1

SEE NOTE-5

SEE NOTE-4

SEE NOTE-6

SEE NOTE-1

SEE NOTE-3

SEE NOTE-6

SEE NOTE-1

SEE NOTE-5

SEE NOTE-4

SEE NOTE-6

SEE NOTE-1

SEE NOTE-3

SEE NOTE-6

SEE NOTE-1

SEE NOTE-5

SEE NOTE-4

SEE NOTE-6

SEE NOTE-1

SEE NOTE-3

SEE NOTE-6

SEE NOTE-1

SEE NOTE-5

SEE NOTE-4

SEE NOTE-6

SEE NOTE-1

SEE NOTE-3

SEE NOTE-6

SEE NOTE-1

SEE NOTE-5

SEE NOTE-4

SEE NOTE-6

SEE NOTE-1

SEE NOTE-3

SEE NOTE-6

SEE NOTE-1

SEE NOTE-5

SEE NOTE-4

SEE NOTE-6

SEE NOTE-1

SEE NOTE-3

SEE NOTE-6

SEE NOTE-1

SEE NOTE-5

SEE NOTE-4

SEE NOTE-6

SEE NOTE-1

SEE NOTE-3

SEE NOTE-6

SEE NOTE-1

SEE NOTE-5

SEE NOTE-4

SEE NOTE-6

SEE NOTE-1

SEE NOTE-3

SEE NOTE-6

SEE NOTE-1

SEE NOTE-5

SEE NOTE-4

SEE NOTE-6

SEE NOTE-1

SEE NOTE-3

SEE NOTE-6

SEE NOTE-1

SEE NOTE-5

SEE NOTE-4

SEE NOTE-6

SEE NOTE-1

SEE NOTE-3

SEE NOTE-6

SEE NOTE-1

SEE NOTE-5

SEE NOTE-4

SEE NOTE-6

SEE NOTE-1

SEE NOTE-3

SEE NOTE-6

SEE NOTE-1

SEE NOTE-5

SEE NOTE-4

SEE NOTE-6

SEE NOTE-1

SEE NOTE-3

SEE NOTE-6

SEE NOTE-1

SEE NOTE-5

SEE NOTE-4

SEE NOTE-6

SEE NOTE-1

SEE NOTE-3

SEE NOTE-6

SEE NOTE-1

SEE NOTE-5

SEE NOTE-4

SEE NOTE-6

SEE NOTE-1

SEE NOTE-3

SEE NOTE-6

SEE NOTE-1

SEE NOTE-5

SEE NOTE-4

SEE NOTE-6

SEE NOTE-1

SEE NOTE-3

SEE NOTE-6

SEE NOTE-1

SEE NOTE-5

SEE NOTE-4

SEE NOTE-6

SEE NOTE-1

SEE NOTE-3

SEE NOTE-6

SEE NOTE-1

SEE NOTE-5

SEE NOTE-4

SEE NOTE-6

SEE NOTE-1

SEE NOTE-3

SEE NOTE-6

SEE NOTE-1

SEE NOTE-5

SEE NOTE-4

SEE NOTE-6

SEE NOTE-1

SEE NOTE-3

SEE NOTE-6

SEE NOTE-1

SEE NOTE-5

SEE NOTE-4

SEE NOTE-6

SEE NOTE-1

SEE NOTE-3

SEE NOTE-6

SEE NOTE-1

SEE NOTE-5

SEE NOTE-4

SEE NOTE-6

SEE NOTE-1

SEE NOTE-3

SEE NOTE-6

SEE NOTE-1

SEE NOTE-5

SEE NOTE-4

SEE NOTE-6

SEE NOTE-1

SEE NOTE-3

SEE NOTE-6

SEE NOTE-1

SEE NOTE-5

SEE NOTE-4

SEE NOTE-6

SEE NOTE-1

SEE NOTE-3

SEE NOTE-6

SEE NOTE-1

SEE NOTE-5

SEE NOTE-4

SEE NOTE-6

SEE NOTE-1

SEE NOTE-3

SEE NOTE-6

SEE NOTE-1

SEE NOTE-5

SEE NOTE-4

SEE NOTE-6

SEE NOTE-1

SEE NOTE-3

SEE NOTE-6

SEE NOTE-1

SEE NOTE-5

SEE NOTE-4

SEE NOTE-6

SEE NOTE-1

SEE NOTE-3

SEE NOTE-6

SEE NOTE-1

SEE NOTE-5

SEE NOTE-4

SEE NOTE-6

SEE NOTE-1

SEE NOTE-3

SEE NOTE-6

SEE NOTE-1

SEE NOTE-5

SEE NOTE-4

SEE NOTE-6

SEE NOTE-1

SEE NOTE-3

SEE NOTE-6

SEE NOTE-1

SEE NOTE-5

SEE NOTE-4

SEE NOTE-6

SEE NOTE-1

SEE NOTE-3

SEE NOTE-6

SEE NOTE-1

SEE NOTE-5

SEE NOTE-4

SEE NOTE-6

SEE NOTE-1

SEE NOTE-3

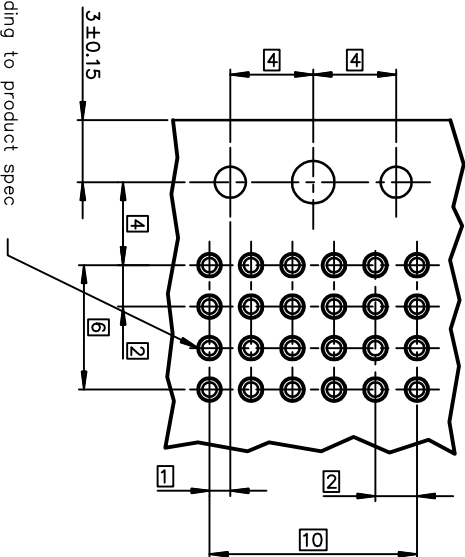
TIN LEAD PART NUMBER

DIM-P ±0.10				P/N AND PERFORMANCE LEVEL		SP N°
ROW-A	ROW-B	ROW-C	ROW-D			
5.00	5.00	5.00	5.00	HM1L41ADP000H6P		009
5.75	5.75	5.75	5.75	HM1L41LDP000H6P		424
6.50	6.50	6.50	6.50	HM1L41DDP000H6P		
6.50	5.00	5.00	5.00	HM1L41BDP000H6P		
6.50	5.75	5.75	6.50	HM1L41GDP000H6P		110
5.00	5.00	6.50	5.00	HM1L41ZDP110H6P		430
5.00	5.75	6.50	5.00	HM1L41ZDP430H6P		448
5.00	8.00	6.50	5.75	HM1L41ZDP329H6P		329
6.50	8.00	6.50	5.75	HM1L41ZDP369H6P		369

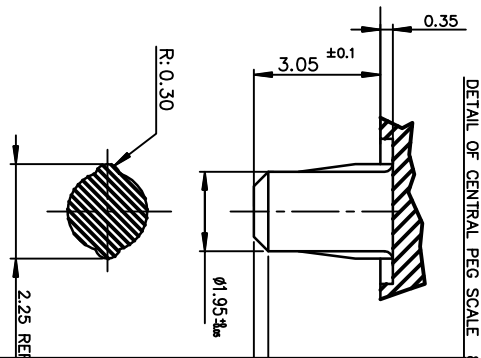
LEAD FREE PART NUMBER

DIM-P ±0.10				P/N AND PERFORMANCE LEVEL		SP N°
ROW-A	ROW-B	ROW-C	ROW-D			
5.00	5.00	5.00	5.00	HM1L41ADP000H6PLF		110
5.75	5.75	5.75	5.75	HM1L41LDP000H6PLF		430
6.50	6.50	6.50	6.50	HM1L41DDP000H6PLF		448
6.50	5.00	5.00	5.00	HM1L41BDP000H6PLF		
6.50	5.75	5.75	6.50	HM1L41GDP000H6PLF		
5.00	5.00	6.50	5.00	HM1L41ZDP110H6PLF		110
5.00	5.75	6.50	5.00	HM1L41ZDP430H6PLF		430
5.00	8.00	6.50	5.00	HM1L41ZDP448H6PLF		448
8.00	8.00	8.00	8.00	HM1L41NDP000H6PLF		
5.00	5.00	5.00	5.00	HM1L41ADP001H6PLF		
5.75	5.00	5.00	5.00	HM1L41ZDP009H6PLF		009
5.75	6.50	5.75	5.00	HM1L41ZDP424H6PLF		424
6.50	5.75	6.50	5.75	HM1L41ZDP037H6PLF		037
6.50	5.75	5.00	5.75	HM1L41ZDP102H6PLF		102
6.50	6.50	6.50	5.75	HM1L41ZDP135H6PLF		135
6.50	8.00	6.50	5.75	HM1L41ZDP329H6PLF		329
6.50	5.75	5.75	5.75	HM1L41ZDP369H6PLF		369

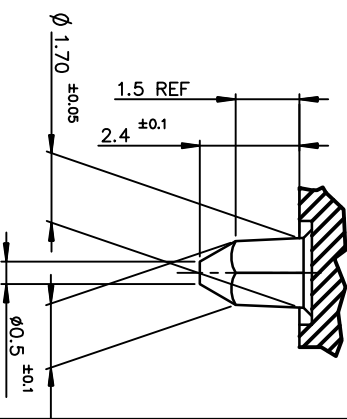
RECOMMENDED PGB LAYOUT



DETAIL OF CENTRAL PEG SCALE



DETAIL OF LOCATING PEGS (2x) SCALE 8



Hole according to product spec  
GS-12-445 (for press-fit),  
GS-12-446 (for STB)

Row	CONTACT CODE MOD					
	1	2	3	4	5	6
D	-	-	-	-	-	-
C	-	-	-	-	-	-
B	-	-	-	-	-	-
A	-	-	-	-	-	-

HM1L41ADP001H6PLF  
SELECTIVE CONTACT LOADING  
NOTE: \* = POSITION LOADED

OTHERS INFORMATIONS:SEE DRW 8626-0150-1

European

Copyright FCI.



STANDARD MAIN LENGTHS = 5.75 (AND 5.00-6.50)

REV F - 2006-04-17

rev	ecn no	dr	date
-	-	-	-
-	-	-	-
-	-	-	-
-	-	-	-
-	-	-	-
-	-	-	-
-	-	-	-
-	-	-	-

www.fciconnect.com		surface		tolerance std		projection	
CHAMPION		ISO 1302		ISO 406 ISO 1101		m	
De-Feng Qin		ANGULAR		UNLESS OTHERWISE SPECIFIED		A3	
Flame Zeng		LINEAR		0.X ±0.1		EON	
2012/02/14		0.XX ±0.1		0.XXX ±0.1		4/	
PM Zheng		Product family		METRAL		Spec ref	
2012/02/14							
METRAL RA HEADER WB		C-8626-0150		CUSTOMER		sheet 2 of	
CONVERGED 4x6 CTS-PF-PUSH PEG		C-8626-0150					