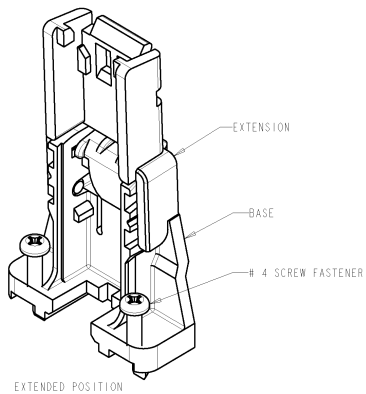


REV	DATE	DESCRIPTION	BY	CHK	APP
0		RELEASED	TSSEP98	RB	EL
A		REVISED PER 0651-0241-98	2MOC98	RB	EL

- ⚠ ALL MOLDED COMPONENTS- UL 94-V0 RATED POLYCARBONATE; BLACK.
- ⚠ RECOMMENDED PC BOARD THICKNESS OF 1.57±0.15[0.062±0.006].
- ⚠ DATUM AND BASIC DIMENSIONS ESTABLISHED BY CUSTOMER.
- 4. BULK PACKAGED IN PARTITIONED BOXES IN THE EXTENDED POSITION.
- ⚠ EACH PROCESSOR INSTALLATION REQ'S TWO RETENTION MODULES.



2 MODULES WITH #4 SCREW FASTENERS	145381-2
1 MODULE WITH #4 SCREW FASTENERS	145381-1
DESCRIPTION	PART NUMBER

<small>THIS DRAWING IS UNCLASSIFIED UNLESS INDICATED OTHERWISE. UNLESS OTHERWISE SPECIFIED, DIMENSIONS ARE IN INCHES.</small>		ENG: R. BROWN TSSEP98 DWG: E. LOTTER TSSEP98 APP: Y. RUMINSKI TSSEP98	<b>AMP</b> AMP Incorporated Harrisburg, PA 17105-3608
DIMENSIONS: mm (INCHES)	TOLERANCES, UNLESS OTHERWISE SPECIFIED: 0.0015" (0.0381) ±0.0005 0.0031" (0.0787) ±0.0010 0.0062" (0.1575) ±0.0020 0.0125" (0.3175) ±0.0040 0.0250" (0.6350) ±0.0080 0.0500" (1.2700) ±0.0160 0.1000" (2.5400) ±0.0320 0.2000" (5.0800) ±0.0640 0.5000" (12.7000) ±0.1600 1.0000" (25.4000) ±0.3200	PRODUCT SPEC: 108-1826 APPLICATION SPEC: - MATERIAL: - FINISH: - WEIGHT: - CUSTOMER DRAWING: -	NAME: UNIVERSAL RETENTION MODULE ASSEMBLY KIT, SCREW FASTENER TITLE: - CASE CODE: - DRAWING NO: A2 00779 ©=145381 RESTRICTED TO: - SCALE: 2:1 SHEET 1 of 1 REV A