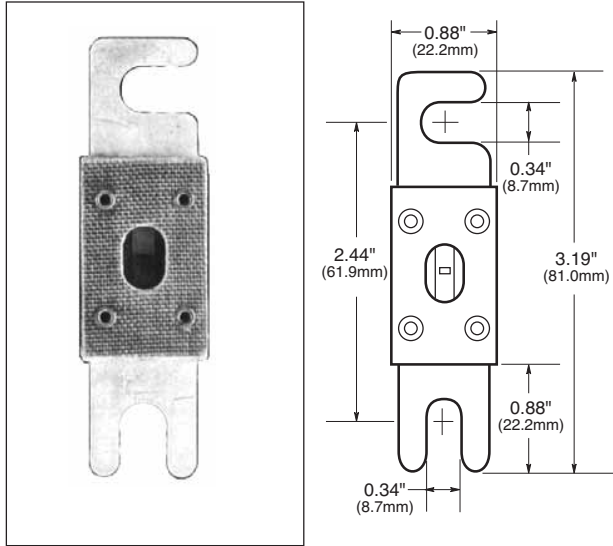


Low-Voltage Limiter Non Time-Delay



Catalog Number ANL (35 - 500A)  
125Vac or Less



Amp Ratings		
ANL 125Vac		
35	130	350
40	150	325
50	175	350
60	200	400
80	225	500
100	250	—

**ANL Specifications:**  
Non-Time-Delay

**Voltage Rating:** 80Vdc, 125Vac

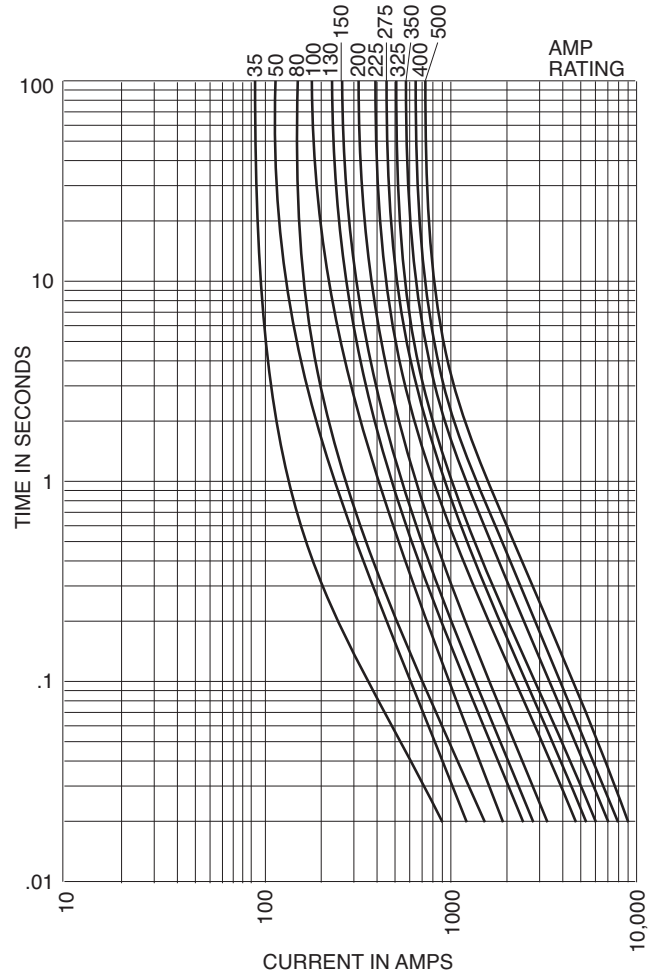
**Interrupting Rating:** 6,000 Amps

**Recommended Fuse Block:** 4164

**Characteristics:**

- Isolates faults in equipment systems such as lift trucks and other battery operated systems.
- Silver-plated copper links.
- Link element visible through mica window.

Average Time-Current Curve



**Fuse Block 4164**

Holes drilled 0.217" diameter with 0.438" counterbore with 5/16-24 stud.

**Dimensions - inches**

