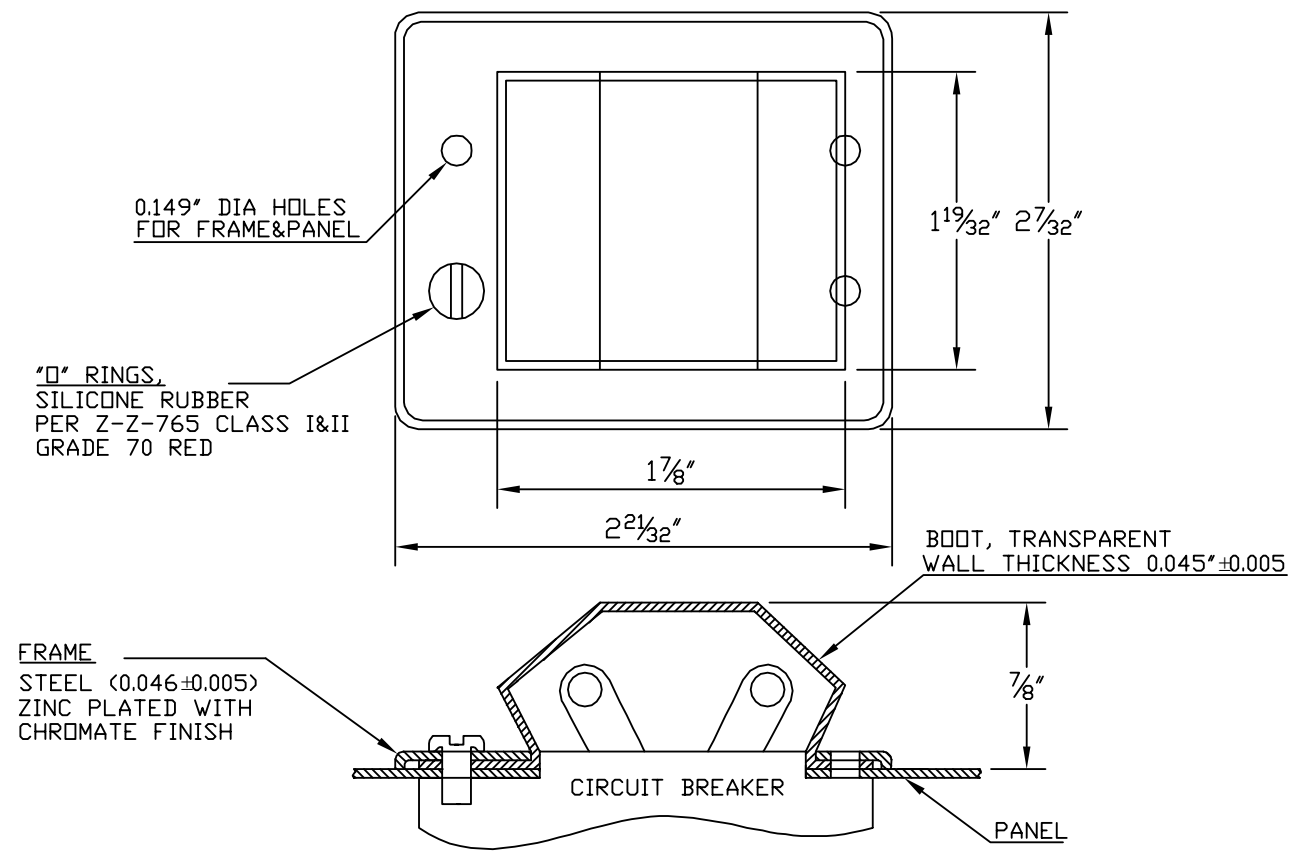


**SPECIFICATION**

**Material:** Boot: APM RUBRGLAS™ (transparent silicone rubber), conforms to A-A-59588, Class III Grade 50, Frame: steel, zinc plated with chromate finish. Screw: SEELSKREW® (self-sealing screws), stainless steel with silicone rubber O-ring.  
**Temperature Range:** HEXSEAL: -94°F to +400°F  
**Pressure Range:** Dust tight and splashproof.  
**Operational Life:** 10,000 actuations (minimum).  
**Shelf Life:** Excess of 25 years.  
**Resistant to:** Salt spray, sunlight, ozone, weather, corona and most acids.

**Notes:**  
 1. Mounting screws are supplied in lengths shown unless otherwise specified.  
 2. New sizes and types of RUBRGLAS-SEELS® are being added regularly. Please request other types and styles as required.  
**Agency Recognition:** Front Panel mounted Circuit Breaker Boots are UL- listed to UL Std. 50, types 1,2,3,12,12K and 13. Back-of-Panel mounted Circuit Breaker boots are UL-listed to UL Std. 50, type 1, Also meet CSA standards.



**NOTES:**  
 ASSEMBLY CONSISTS OF 1 BOOT, MAT'L APM RUBRGLAS®, 1 FRAME MAT'L C.R.S. ZINC PLATED WITH CHROMATE FINISH, & #6-32 APM SEELSKREWS® LENGTH = 3/8 UNLESS OTHERWISE SPECIFIED  
 TOLERANCES: UNLESS OTHERWISE NOTED ±1/32

B	RUBBER and FRAME MAT'L CHANGED, WALL THICKNESS TOL. 0.010 CHANGED TO 0.005, HOLE DIM. Ø.0.160" CHANGED TO Ø.0.149", DELETED TO "DESIGN TO MEET MIL-5423" and DELETED TO SEELSKREW INFORMATION	S. GOK	05.04.09
A	CAD COMPUTER GENERATED		11.13.02
REV.	DESCRIPTION		DATE
	CIRCUIT BREAKER BOOT, TOGGLE, WIDE ANGLE, TRANSPARENT (2 POLES)	ENG. DWN. CHKD. J. CELLA	05.04.09
MAXIMUM AND MINIMUM MEASUREMENTS ARE STATED DIRECTLY ON EACH DIMENSION. MAT'L: RUBRGLASS Ⓞ CONFORMS TO A-A-59588 CL III FINISH: GRADE 50 TRANSPARENT		TITLE: APM-HEXSEAL CORPORATION SCALE: 1:1 DWG. NO.: HE-1020	

THIS DRAWING COVERS PROPRIETARY ITEM AND IS THE PROPERTY OF THE APM-HEXSEAL CORPORATION. THIS DRAWING IS NOT TO BE COPIED OR USED WITHOUT THE WRITTEN APPROVAL OF AN OFFICER OF THE APM-HEXSEAL CORPORATION.