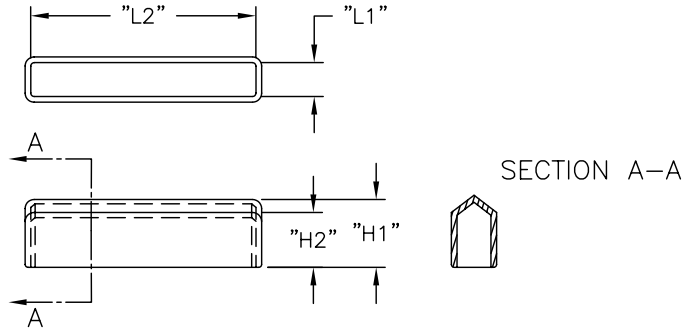


PART NO.	"H1" REF.	"H2" REF.	"L1"	"L2"	FUSE TYPE
840620	1/2 (12.7)	25/64 (9.9)	.24 (6.0)	.79 (20.0)	METRIC
840730	1/2 (12.7)	25/64 (9.9)	.28 (7.0)	1.18 (30.0)	METRIC
840832	5/8 (15.9)	37/64 (14.7)	.32 (8.0)	1.26 (32.0)	METRIC
840836	1/2 (12.7)	25/64 (9.9)	.32 (8.0)	1.42 (36.0)	STD 1/4X1-1/4



NOTES:

1. MATERIAL: FLEXIBLE PVC (RMS-55).
2. COLOR: TRANSPARENT BLUE.

TITLE: "QUICK FIT" FUSE COVERS		DWG IN IN (MM)		FINAL	
TOLERANCES UNLESS NOTED .XX=±.020 .XXX=±.015 FRAC=±1/64 ANG=±1°	FILE # 840XXX MAT'L: SEE NOTES RE: RICHCO, INC.	DWN: J.B. DT: 09-21-95	APP: DT:	PART # SEE TABLE	PRINT TYPE CA
A	CHANGED FILE NO.	SM 03.22.02			
REV	DESCRIPTION	ENGR DATE			