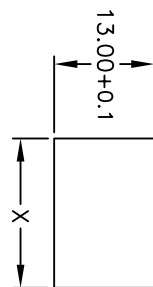
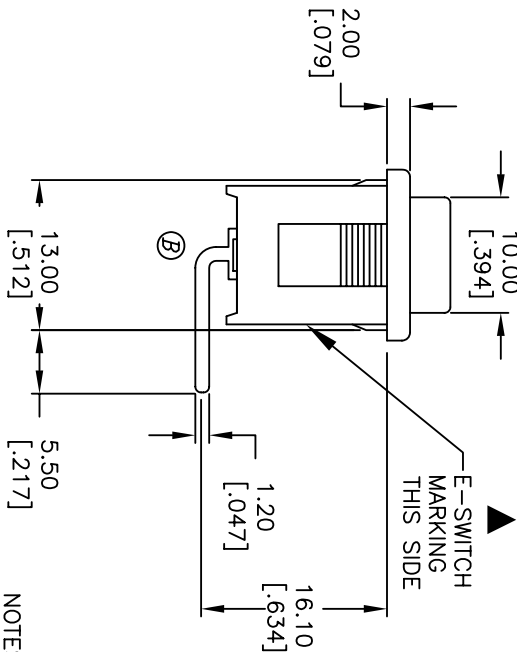
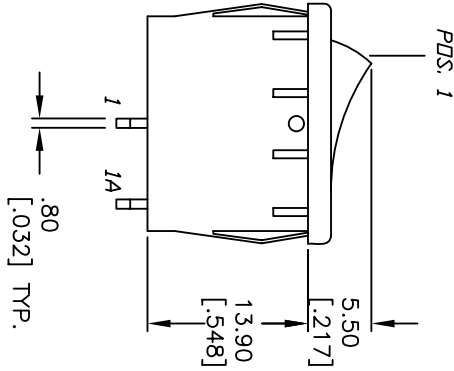


RECOMMENDED P.C.B. LAYOUT

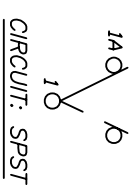
PANEL THICKNESS	X dimension
0.75-1.25 [0.30-0.49]	19.2-01 [7.561]
1.25-2.0 [0.49-0.79]	19.4-01 [7.641]
2.0-3.0 [0.79-1.18]	19.8-01 [7.801]



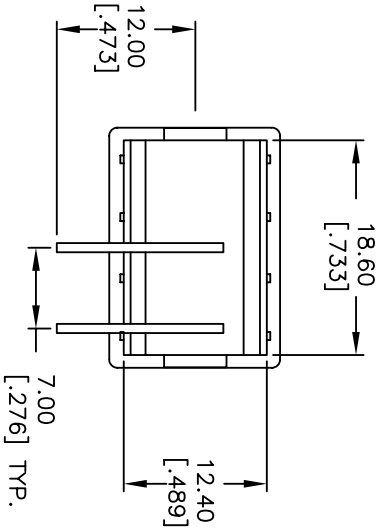
PANEL CUTOUT  
NOT TO SCALE



SWITCH FUNCTION	
PDS. 1	PDS. 2
DN	OFF
1-1a	OPEN



CIRCUIT: SPST



- NOTES:
1. ALL DIMENSIONS IN MM [INCH]
  2. GENERAL TOLERANCE: X.X=±0.4 X.XX=±0.25
  3. TERMINAL NUMBERS FOR REF ONLY
  4. RATING: 15A @ 125VAC OR 6A @ 250VAC
  5. MATERIALS: TERMINALS: Silver Plated Copper Alloy  
CONTACTS: Coin Silver, Silver Plated
  6. ELECTRIC LIFE: 10,000 cycles
  7. CONTACT RESISTANCE: <20 Milli Ω
  8. INSULATION RESISTANCE: >1000 Milli Ω
  9. DIELECTRIC STRENGTH: >1500 V 1 minute  
>3000 V between poles



R1966A BLK BLK G R

C	20571	Chg Cont resis from MEGA	4/25/12	rc
B	11572	REVISED	7/17/01	CJB
REV.	ECN No.	DESCRIPTION	DATE	CHKD

TITLE		SCALE	DATE	DR	DWG	REV
R1966A BLK BLK G R		1.5:1	7/6/01	GLG	M301223	C

THE INFORMATION CONTAINED IN THIS DOCUMENT IS PROPRIETARY TO E-SWITCH AND IS NOT TO BE COPIED OR TRANSFERRED