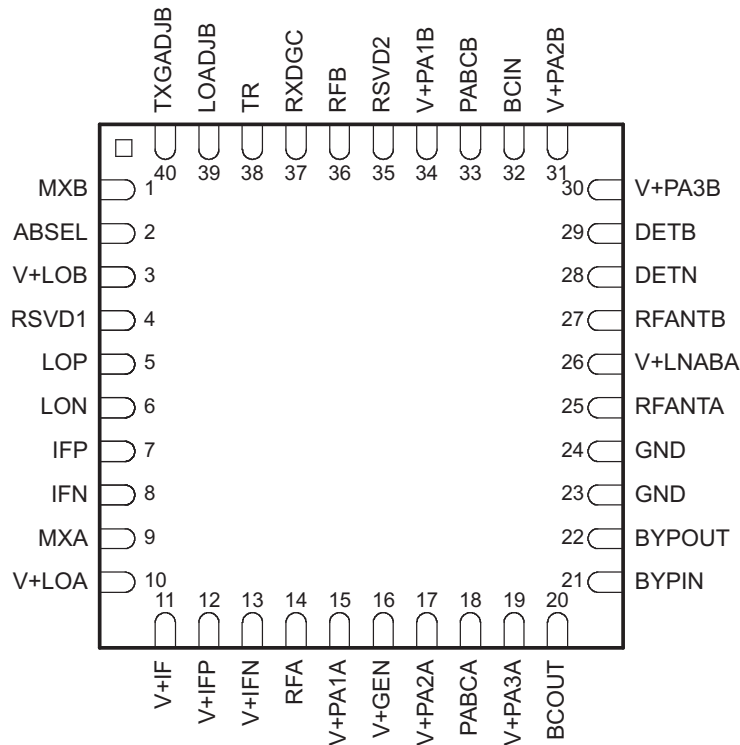


High-Power Dual-Band (2.4-GHz to 2.5-GHz and 4.9-GHz to 5.9-GHz) RF Front-End

FEATURES

- Highly Integrated 802.16 d/e Radio Frequency Front End ASIC
- Fully Integrated Up/Down Converters, LNAs, PAs and T/R Switches
- Super Heterodyne Architecture for Superior Adjacent Channel Rejection Performance
- Differential LO and IF Interface for Enhanced Spurious/EMI Performance
- Common Frequency Plan uses a Single LO and Common IF for Single IF Filter for Both Bands
- Integrated Temperature Compensated TX Power Detectors
- PA Bias Control Function
- Antenna Port OP_{1dB} = +23 dBm Typical
- Antenna Port OIP₃ = +33 dBm, Typical
- Frequency Range: 2.4 to 2.5 and 4.9 to 5.9 GHz
- Noise Figure: 4 dB ISM Band, 6 dB 5 GHz Bands Typical
- Typical Gain: 38 dB TX, 20 dB RX
- IF = 374 MHz

TRF2436 PACKAGE
(TOP VIEW)



Please be aware that an important notice concerning availability, standard warranty, and use in critical applications of Texas Instruments semiconductor products and disclaimers thereto appears at the end of this data sheet.

TRF2436



SLWS176C – APRIL 2005 – REVISED MAY 2007



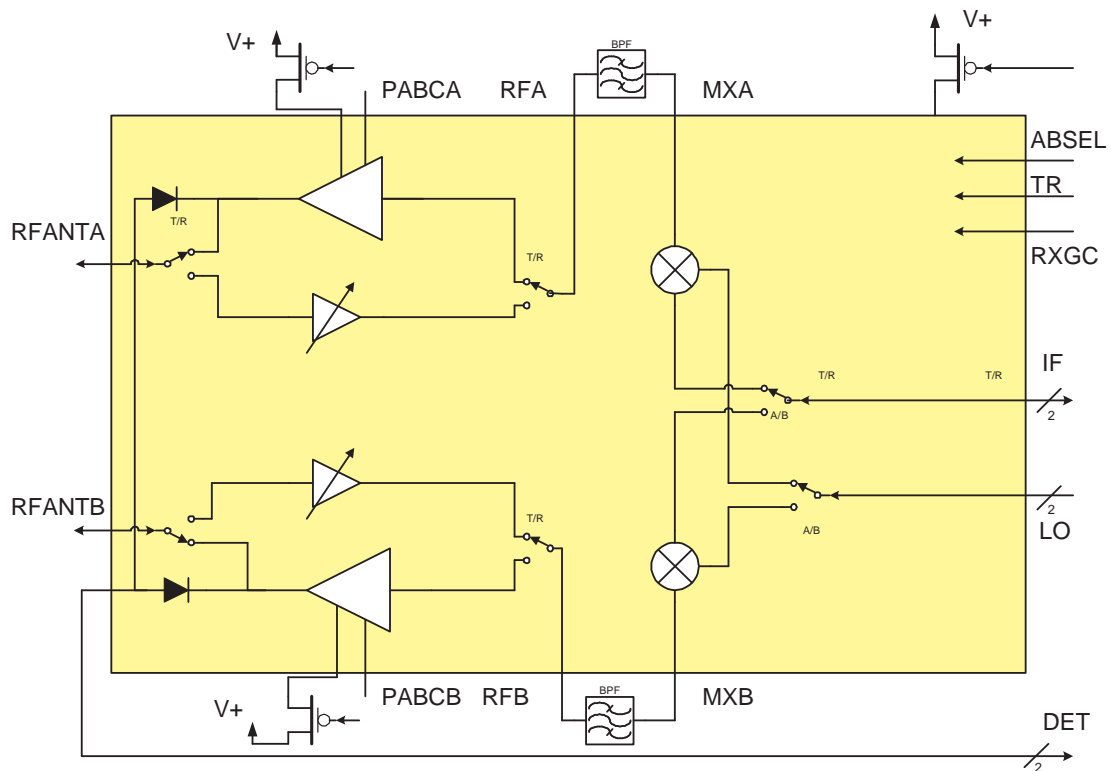
These devices have limited built-in ESD protection. The leads should be shorted together or the device placed in conductive foam during storage or handling to prevent electrostatic damage to the MOS gates.

DESCRIPTION

The TRF2436 is a fully integrated Dual Band Tri Mode Radio Frequency Front End (RFFE) designed specifically for use in 802.16 d/e applications. The TRF2436 is designed to perform RF up and down conversions in the unlicensed ISM and 4.9-5.9 GHz bands. The TRF2436 uses a common IF frequency for both bands, eliminating the need for additional IF filtering. Combined with the TI TRF2432 IF/IQ Transceiver/Synthesizer, the TRF2436 completes the TI WLAN two-chip radio.

The TRF2436 incorporates all of the RF blocks for both the “b” and “a” bands except for low cost ceramic filters. The ASIC includes LNAs, PAs, mixers, bias circuitry, RX gain control, transmit coupler detectors, and T/R switches. High integration and internal RF matching enhances performance and greatly reduce external part count. The only external components needed (other than simple passives) for operation are RF filters and external low power DC switching FETs.

Functional Block Diagram



DEVICE INFORMATION

TERMINAL FUNCTIONS

TERMINAL		I/O	TYPE	DESCRIPTION
NAME	NO.			
MXB	1	I/O	RF SE	B band RF Input/Output to mixer. 50-Ω single ended. Do not apply DC.
ABSEL	2	I	Digital	Band select pin. HIGH = A-band. LOW = B-band.
V+LOB	3	I	Power	B band LO amplifier bias +3.3V
RSVD1	4	-	-	Not connected for normal operation. Leave Open.
LOP	5	I	RF Dif.	LO input (differential) Positive, AC coupled

DEVICE INFORMATION (continued)
TERMINAL FUNCTIONS (continued)

TERMINAL		I/O	TYPE	DESCRIPTION
NAME	NO.			
LON	6	I	RF Dif.	LO input (differential) Negative, AC coupled
IFP	7	I/O	RF Dif.	IF input/output (differential) Positive, DC coupled, typical DC Voltage is 2.6V
IFN	8	I/O	RF Dif.	IF input/output(differential) Negative, DC coupled, typical DC Voltage is 2.6V
MXA	9	I/O	RF SE	A band RF Input/Output to mixer. 50-Ω single ended. Do not apply DC.
V+LOA	10	I	Power	A band LO amplifier bias +3.3V
V+IF	11	I	Power	IF amplifier bias +3.3V.
V+IFP	12	I	Power	IFP amplifier bias +3.3V.
V+IFN	13	I	Power	IFN amplifier bias +3.3V.
RFA	14	I/O	RF SE	A Band RF Input/Output to PA/LNA. 50-Ω single ended. AC coupled.
V+PA1A	15	I	Power	A band Power amplifier bias +3.3V.
V+GEN	16	I	Power	DC Bias Control Bias +3.3V.
V+PA2A	17	I	Power	A band Power amplifier bias +3.3V.
PABCA	18	-	-	A band PA Bias Control Input
V+PA3A	19	-	-	A band Power amplifier bias +3.3V.
BCOUT	20	O	Analog	Bias Control Output.
BYPIN	21	I	Analog	DC Bias Bypass Input
BYPOUT	22	O	Analog	DC Bias Bypass Output
GND	23, 24	-	-	Connect to ground
RFANTA	25	I/O	RF SE	A band RF in/out to antennas. AC coupled.
V+LNABA	26	I	Power	A and B Band LNA bias +3.3V.
RFANTB	27	I/O	RF SE	B band RF in/out to antennas. AC coupled.
DETN	28	O	Analog	Negative RF power detector output
DETP	29	O	Analog	Positive RF power detector output.
V+PA3B	30	I	Power	B band Power amplifier bias +3.3V.
V+PA2B	31	I	Power	B band Power amplifier bias +3.3V.
BCIN	32	I	Analog	Bias control input
PABCB	33	-	-	B band PA Bias Control Input
V+PA1B	34	I	Power	B band Power amplifier bias +3.3V.
RSVD2	35	-	-	Not Connected for normal operation. Leave Open.
RFB	36	I/O	RF SE	B band RF Input/Output to PA/LNA. 50-Ω single ended. AC coupled.
RXDGC	37	I	Digital	Rx Gain Control. HIGH = minimum gain. LOW = maximum gain
TR	38	I	Digital	Transmit/Receive mode control. HIGH = transmit. LOW = receive.
LOADJB	39	-	-	Not connected for normal operation. Leave Open. B band LO amp bias adjust.
TXGADJB	40	-	-	Not connected for normal operation. Leave open. PAB Amplifier bias adjust.

TRF2436



SLWS176C – APRIL 2005 – REVISED MAY 2007

ABSOLUTE MAXIMUM RATINGS

over operating free-air temperature range (unless otherwise noted)

			VALUE	UNIT
V _{CC}	DC supply voltage		0 to 6.9	V
I _{CC}	DC supply current		600	mA
	RF input power	Any port and any mode	10	dBm
V _{ID}	Digital input voltage		-0.3 to 5	V
T _{JC}	Junction temperature		175	°C
θ _{JC}	Thermal resistance junction-to-case		35	°C/W
T _A	Operating temperature		-20 to 85	°C
T _{stg}	Storage temperature		-40 to 105	°C
	Lead temperature	40 sec maximum	220	°C

DC CHARACTERISTICS

TYP ratings are at 25°C and V_{CC} = 3.3 V, MIN and MAX ratings are over operating free-air temperature and voltage ranges (unless otherwise noted)

PARAMETER	TEST CONDITIONS	MIN	TYP	MAX	UNIT	
V _{CC}	Supply voltage	Specification compliant	2.7	3.3	4.2	V
I _{CC}	Total supply current	B Band, RX Mode		65	105	mA
		A Band, RX Mode		80	120	mA
		B Band, TX Mode, Max PABC input		410	520	mA
		A Band, TX Mode, Max PABC input		450	550	mA
V _{IH}	High-level input voltage		1.7		V	
V _{IL}	Low-level input voltage			0.5	V	
I _{IH}	High-level input current		100	300	µA	
I _{IL}	Low-level input current			-50	µA	

RECEIVER CHARACTERISTICS

TR = Low, 2 dB base band filter loss in RX band, MIN, TYP, and MAX rating are at 25°C and V_{CC} = 3.3 V (unless otherwise noted)

PARAMETER	TEST CONDITIONS	MIN	TYP	MAX	UNIT	
f _{IRF}	RF input frequency	B band		2400	MHz	
		A band		4900		
f _{LO}	LO input frequency	B band		2774	MHz	
		A band		2637		
f _{IF}	IF input frequency		374		MHz	
G	Gain	B Band High Gain Mode RXGC=LOW	17	19	dB	
		A Band High Gain Mode RXGC=LOW	18	23		
ΔG	Gain step size	B Band Low Gain Mode RXGC=HIGH		25	dB	
		A Band Low Gain Mode RXGC=HIGH		15		
	Noise figure	B Band. Max Gain		4	5	dB
		A Band. Max Gain		6	7.5	

RECEIVER CHARACTERISTICS (continued)

TR = Low, 2 dB base band filter loss in RX band, MIN, TYP, and MAX rating are at 25°C and V_{CC} = 3.3 V (unless otherwise noted)

PARAMETER		TEST CONDITIONS	MIN	TYP	MAX	UNIT
Input P _{-1dB}		B Band High Gain Mode RXGC=LOW	-16	-13		dBm
		B Band Low Gain Mode RXGC=HIGH				
		A Band High Gain Mode RXGC=LOW	-22	-18		
		A Band Low Gain Mode RXGC=HIGH	-16	-13		
Input 3rd order intercept point		B Band High Gain Mode RXGC=LOW	-6	-2		dBm
		B Band Low Gain Mode RXGC=HIGH	4	8		
		A Band High Gain Mode RXGC=LOW	-12	-8		
		A Band Low Gain Mode RXGC=HIGH	-6	-3		
RF input return loss		Z = 50 Ω Both Bands, Both Gain modes	8			dB
LNA out return loss RF		Z = 50 Ω Both Bands, Both Gain modes	9			dB
Mixer input MX return loss		Z = 50 Ω Both Bands	10			dB
Output return loss		Measured into 200 Ω differential	10			dB
LO at MX leakage		B band		-30		dBm
		A Band (5274-6274 MHz)		-30		
LO at IF leakage		Both bands		-40		dBm
Gain flatness full band		B band		1		dB
		A band		2		
Gain flatness / 22 MHz		Both bands				dB
Gain settling time		Full range to within 0.5 dB final. All bands		0.3		µs
RF to RFANT isolation		In Band: B Band High Gain Mode RXGC=LOW		30		dB
		In Band: B Band Low Gain Mode RXGC=HIGH		5		
		In Band: A Band High Gain Mode RXGC=LOW		25		
		In Band: A Band Low Gain Mode RXGC=HIGH		35		

TRANSMITTER CHARACTERISTICS

TR = High, 2 dB base band filter loss in RX band, MIN, TYP, and MAX rating are at 25°C and V_{CC} = 3.3 V (unless otherwise noted)

PARAMETER		TEST CONDITIONS	MIN	TYP	MAX	UNIT
f _{IF}	IF input frequency			374		MHz
f _{ORF}	RF output frequency	B band	2400		2500	MHz
		A band	4900		5900	MHz
f _{LO}	LO input frequency	B band	2774		2874	MHz
		A band	2637		3137	MHz
G	Gain	B Band	37	40		dB
		A Band	40	43		dB

TRF2436



SLWS176C – APRIL 2005 – REVISED MAY 2007

TRANSMITTER CHARACTERISTICS (continued)

TR = High, 2 dB base band filter loss in RX band, MIN, TYP, and MAX rating are at 25°C and V_{CC} = 3.3 V (unless otherwise noted)

PARAMETER	TEST CONDITIONS	MIN	TYP	MAX	UNIT
Output 1 dB gain compression	B band. max PABC input	22	23.5		dBm
	A band. max PABC input	20.5	22.5		dBm
	5150 – 5350 MHz Max PABC input, V+PA = 2.9 V min, Other V _{CC} = 2.7 V min	20.5	22.5		dBm
Output 3rd order intercept	B band	32	35		dBm
	A band	30	32.5		dBm
Noise figure	Both bands		8		dB
IF input return loss	Measured into 200 Ω differential	8			dB
Mixer output return loss MX	Z = 50 Ω both bands	10			dB
RF input return loss RF	Z = 50 Ω both bands	8			dB
RFANT return loss	Z = 50 Ω both bands	6			dB
I _{lkg} LO leakage at MX	B band		-35		dBm
	A band (5274-6274 MHz)		-35		dBm
Gain flatness full band	B band		1		dB
	A band		2		dB
Gain flatness / 22 MHz	Both bands				dB
PA harmonics	Both bands CW at P1 dB			-20	dBc
RFANT to RF isolation	B band		50		dB
	A band		50		dB
PA Off Isolation RF to RFANT	In band: both bands	50			dB
PA Turn On Time	To within 0.5 dB max power		0.2		µs
PA Turn Off Time	To within -20 dB max power		0.2		µs
PA droop	From max power after turn-on time, Maximum on duration is 200 ms			0.5	dB
PA Bias Control Input Range (PABC)	Max Current corresponds to max PA bias state				mA

COMMON ELECTRICAL CHARACTERISTICS

MIN, TYP, and MAX ratings are at 25°C and V_{CC} = 3.3 V (unless otherwise noted)

PARAMETER	TEST CONDITIONS	MIN	TYP	MAX	UNIT
TR_SEL switch time	Gain within 0.5dB. Not Including PA ramp time		0.3	1	µs
AB_SEL switch time				1	µs
LO input power	Reference to 100 Ω differential	-1		5	dBm
LO input return loss	Measured to 100 Ω differential at 25°C	6			
IF port impedance	Differential		200		Ω
LO port impedance			100		Ω

TYPICAL CHARACTERISTICS

A Band Detector Output

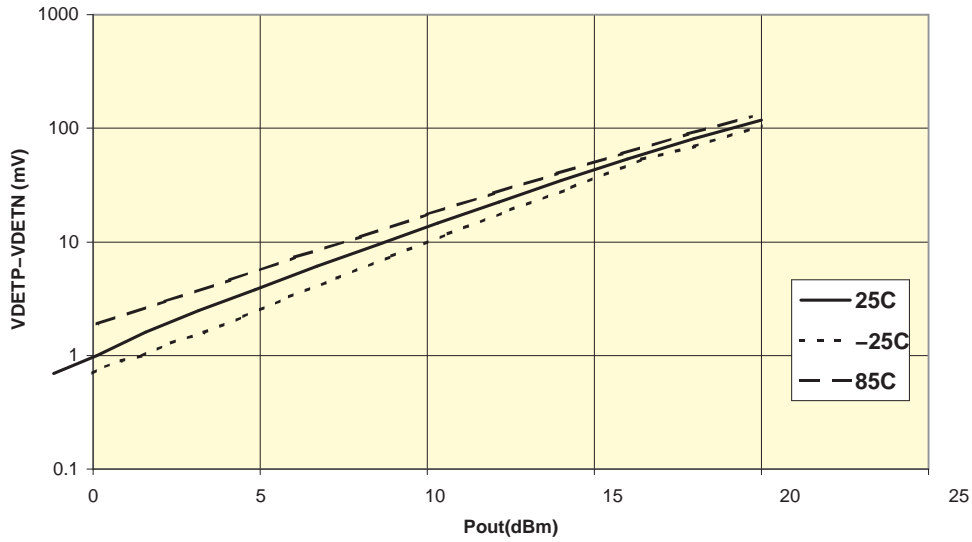


Figure 1. A Band Detector Output

B Band Detector Output



Figure 2. B Band Detector Output



PACKAGE OPTION ADDENDUM

www.ti.com

10-Jun-2014

PACKAGING INFORMATION

Orderable Device	Status (1)	Package Type	Package Drawing	Pins	Package Qty	Eco Plan (2)	Lead/Ball Finish (6)	MSL Peak Temp (3)	Op Temp (°C)	Device Marking (4/5)	Samples
TRF2436IRTBR	ACTIVE	VQFN	RTB	40	2500	Green (RoHS & no Sb/Br)	CU SN	Level-3-260C-168 HR		TRF 2436	Samples
TRF2436IRTBRG4	ACTIVE	VQFN	RTB	40	2500	Green (RoHS & no Sb/Br)	CU SN	Level-3-260C-168 HR		TRF 2436	Samples
TRF2436IRTBT	ACTIVE	VQFN	RTB	40	250	Green (RoHS & no Sb/Br)	CU SN	Level-3-260C-168 HR		TRF 2436	Samples

(1) The marketing status values are defined as follows:

ACTIVE: Product device recommended for new designs.

LIFEBUY: TI has announced that the device will be discontinued, and a lifetime-buy period is in effect.

NRND: Not recommended for new designs. Device is in production to support existing customers, but TI does not recommend using this part in a new design.

PREVIEW: Device has been announced but is not in production. Samples may or may not be available.

OBsolete: TI has discontinued the production of the device.

(2) Eco Plan - The planned eco-friendly classification: Pb-Free (RoHS), Pb-Free (RoHS Exempt), or Green (RoHS & no Sb/Br) - please check <http://www.ti.com/productcontent> for the latest availability information and additional product content details.

TBD: The Pb-Free/Green conversion plan has not been defined.

Pb-Free (RoHS): TI's terms "Lead-Free" or "Pb-Free" mean semiconductor products that are compatible with the current RoHS requirements for all 6 substances, including the requirement that lead not exceed 0.1% by weight in homogeneous materials. Where designed to be soldered at high temperatures, TI Pb-Free products are suitable for use in specified lead-free processes.

Pb-Free (RoHS Exempt): This component has a RoHS exemption for either 1) lead-based flip-chip solder bumps used between the die and package, or 2) lead-based die adhesive used between the die and leadframe. The component is otherwise considered Pb-Free (RoHS compatible) as defined above.

Green (RoHS & no Sb/Br): TI defines "Green" to mean Pb-Free (RoHS compatible), and free of Bromine (Br) and Antimony (Sb) based flame retardants (Br or Sb do not exceed 0.1% by weight in homogeneous material)

(3) MSL, Peak Temp. - The Moisture Sensitivity Level rating according to the JEDEC industry standard classifications, and peak solder temperature.

(4) There may be additional marking, which relates to the logo, the lot trace code information, or the environmental category on the device.

(5) Multiple Device Markings will be inside parentheses. Only one Device Marking contained in parentheses and separated by a "-" will appear on a device. If a line is indented then it is a continuation of the previous line and the two combined represent the entire Device Marking for that device.

(6) Lead/Ball Finish - Orderable Devices may have multiple material finish options. Finish options are separated by a vertical ruled line. Lead/Ball Finish values may wrap to two lines if the finish value exceeds the maximum column width.

Important Information and Disclaimer: The information provided on this page represents TI's knowledge and belief as of the date that it is provided. TI bases its knowledge and belief on information provided by third parties, and makes no representation or warranty as to the accuracy of such information. Efforts are underway to better integrate information from third parties. TI has taken and



continues to take reasonable steps to provide representative and accurate information but may not have conducted destructive testing or chemical analysis on incoming materials and chemicals. TI and TI suppliers consider certain information to be proprietary, and thus CAS numbers and other limited information may not be available for release.

In no event shall TI's liability arising out of such information exceed the total purchase price of the TI part(s) at issue in this document sold by TI to Customer on an annual basis.

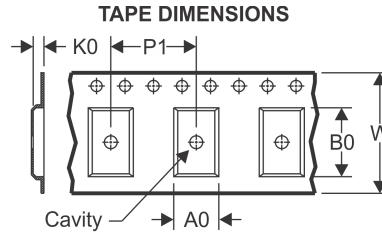
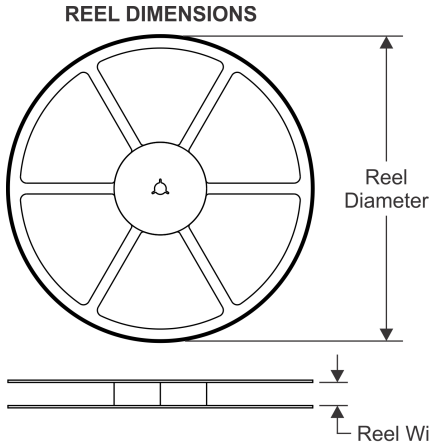


PACKAGE MATERIALS INFORMATION

www.ti.com

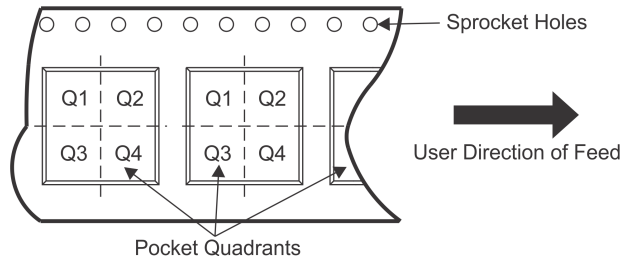
21-Mar-2014

TAPE AND REEL INFORMATION



A0	Dimension designed to accommodate the component width
B0	Dimension designed to accommodate the component length
K0	Dimension designed to accommodate the component thickness
W	Overall width of the carrier tape
P1	Pitch between successive cavity centers

QUADRANT ASSIGNMENTS FOR PIN 1 ORIENTATION IN TAPE



*All dimensions are nominal

Device	Package Type	Package Drawing	Pins	SPQ	Reel Diameter (mm)	Reel Width W1 (mm)	A0 (mm)	B0 (mm)	K0 (mm)	P1 (mm)	W (mm)	Pin1 Quadrant
TRF2436IRTBR	VQFN	RTB	40	2500	330.0	16.4	6.3	6.3	1.5	12.0	16.0	Q2
TRF2436IRTBT	VQFN	RTB	40	250	180.0	16.4	6.3	6.3	1.5	12.0	16.0	Q2

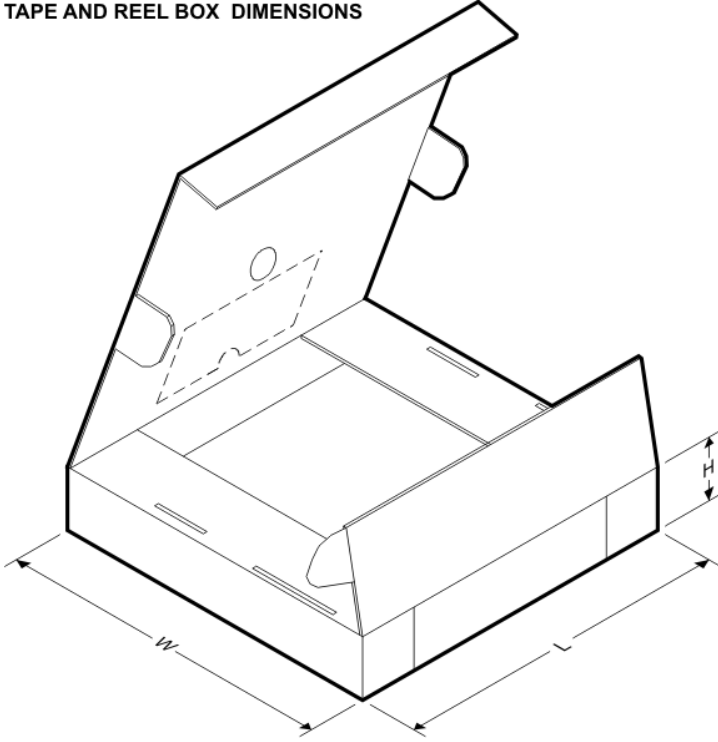


PACKAGE MATERIALS INFORMATION

www.ti.com

21-Mar-2014

TAPE AND REEL BOX DIMENSIONS



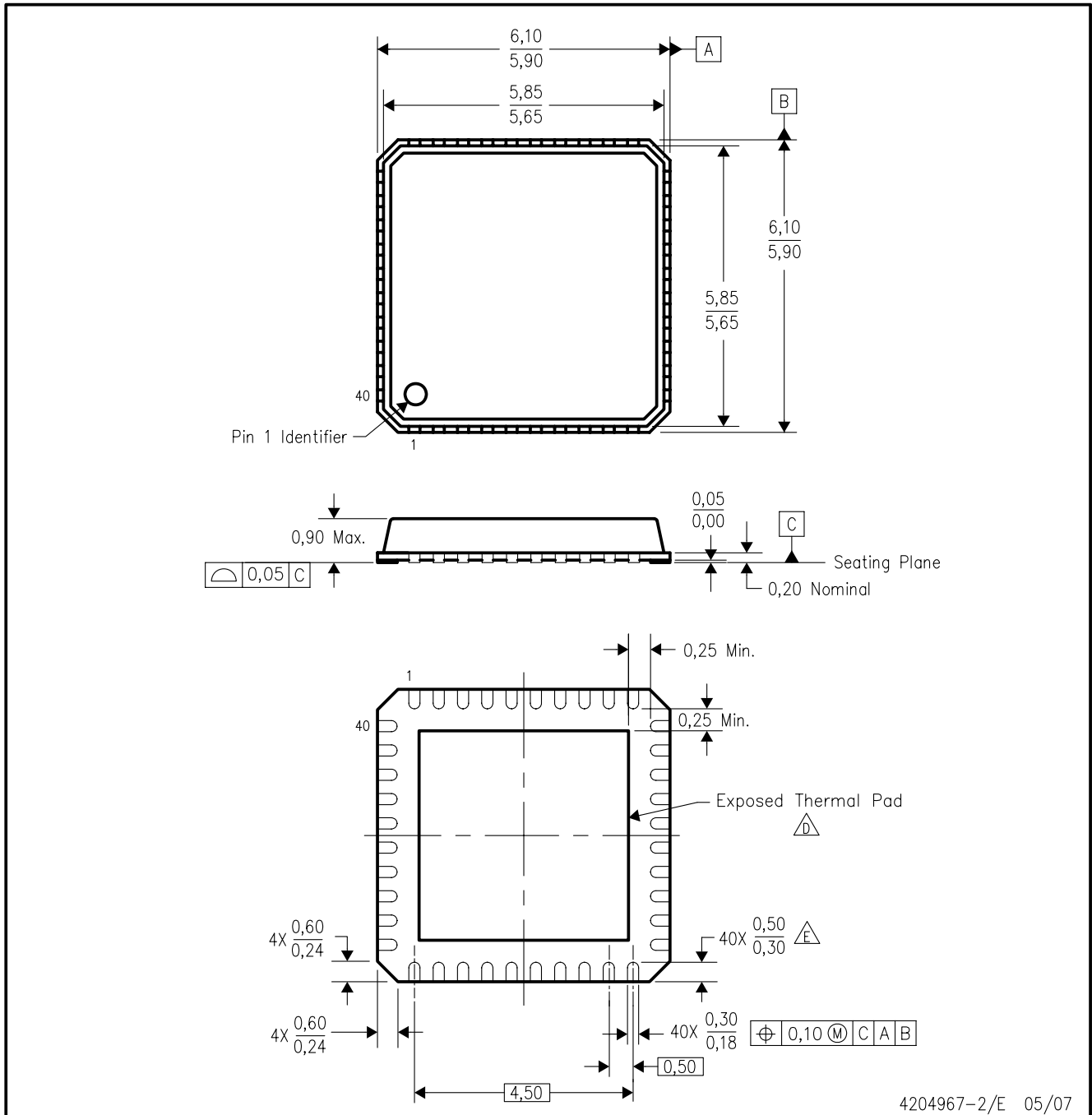
*All dimensions are nominal



Device	Package Type	Package Drawing	Pins	SPQ	Length (mm)	Width (mm)	Height (mm)
TRF2436IRTBR	VQFN	RTB	40	2500	336.6	336.6	28.6
TRF2436IRTBT	VQFN	RTB	40	250	213.0	191.0	55.0

MECHANICAL DATA

RTB (S-PQFP-N40)

PLASTIC QUAD FLATPACK



- NOTES: A. All linear dimensions are in millimeters. Dimensioning and tolerancing per ASME Y14.5M-1994.  The package thermal pad must be soldered to the board for thermal and mechanical performance. See the Product Data Sheet for details regarding the exposed thermal pad dimensions.
- B. This drawing is subject to change without notice.
- C. QFN (Quad Flatpack No-Lead) Package configuration.  Some products have selected lands extended past 0,50 length. See Product Data Sheet for details regarding specific land length exceptions.



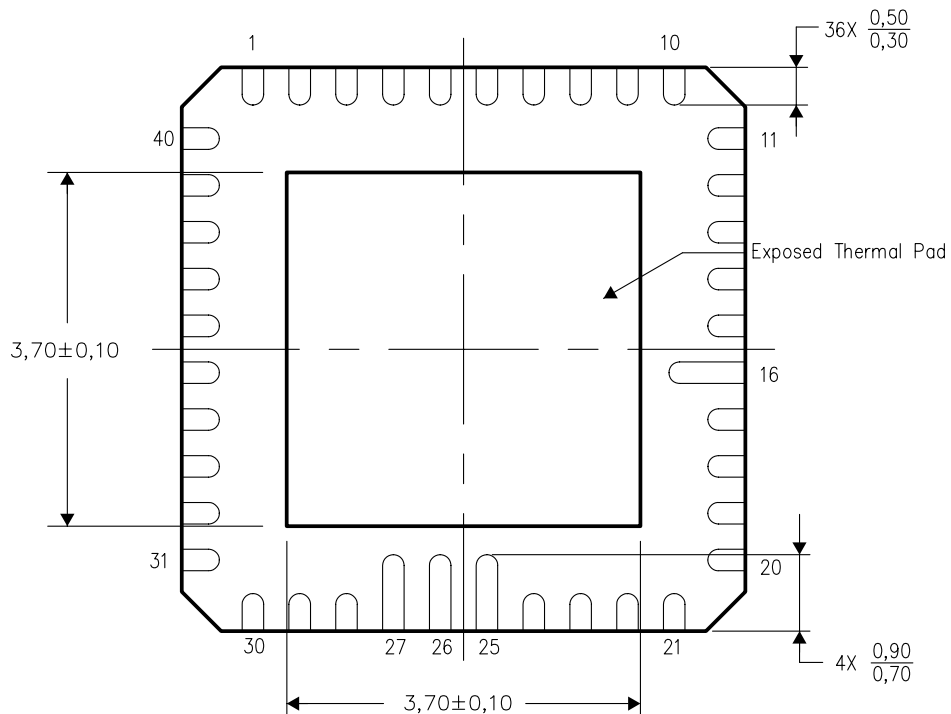
THERMAL PAD MECHANICAL DATA
RTB (S-PQFP-N40)

THERMAL INFORMATION

This package incorporates an exposed thermal pad that is designed to be attached directly to an external heatsink. The thermal pad must be soldered directly to the printed circuit board (PCB). After soldering, the PCB can be used as a heatsink. In addition, through the use of thermal vias, the thermal pad can be attached directly to the appropriate copper plane shown in the electrical schematic for the device, or alternatively, can be attached to a special heatsink structure designed into the PCB. This design optimizes the heat transfer from the integrated circuit (IC).

For information on the Quad Flatpack No-Lead (QFN) package and its advantages, refer to Application Report, Quad Flatpack No-Lead Logic Packages, Texas Instruments Literature No. SCBA017. This document is available at www.ti.com.

The exposed thermal pad dimensions for this package are shown in the following illustration.



Bottom View

NOTE: All linear dimensions are in millimeters

Exposed Thermal Pad Dimensions

IMPORTANT NOTICE

Texas Instruments Incorporated and its subsidiaries (TI) reserve the right to make corrections, enhancements, improvements and other changes to its semiconductor products and services per JESD46, latest issue, and to discontinue any product or service per JESD48, latest issue. Buyers should obtain the latest relevant information before placing orders and should verify that such information is current and complete. All semiconductor products (also referred to herein as "components") are sold subject to TI's terms and conditions of sale supplied at the time of order acknowledgment.

TI warrants performance of its components to the specifications applicable at the time of sale, in accordance with the warranty in TI's terms and conditions of sale of semiconductor products. Testing and other quality control techniques are used to the extent TI deems necessary to support this warranty. Except where mandated by applicable law, testing of all parameters of each component is not necessarily performed.

TI assumes no liability for applications assistance or the design of Buyers' products. Buyers are responsible for their products and applications using TI components. To minimize the risks associated with Buyers' products and applications, Buyers should provide adequate design and operating safeguards.

TI does not warrant or represent that any license, either express or implied, is granted under any patent right, copyright, mask work right, or other intellectual property right relating to any combination, machine, or process in which TI components or services are used. Information published by TI regarding third-party products or services does not constitute a license to use such products or services or a warranty or endorsement thereof. Use of such information may require a license from a third party under the patents or other intellectual property of the third party, or a license from TI under the patents or other intellectual property of TI.

Reproduction of significant portions of TI information in TI data books or data sheets is permissible only if reproduction is without alteration and is accompanied by all associated warranties, conditions, limitations, and notices. TI is not responsible or liable for such altered documentation. Information of third parties may be subject to additional restrictions.

Resale of TI components or services with statements different from or beyond the parameters stated by TI for that component or service voids all express and any implied warranties for the associated TI component or service and is an unfair and deceptive business practice. TI is not responsible or liable for any such statements.

Buyer acknowledges and agrees that it is solely responsible for compliance with all legal, regulatory and safety-related requirements concerning its products, and any use of TI components in its applications, notwithstanding any applications-related information or support that may be provided by TI. Buyer represents and agrees that it has all the necessary expertise to create and implement safeguards which anticipate dangerous consequences of failures, monitor failures and their consequences, lessen the likelihood of failures that might cause harm and take appropriate remedial actions. Buyer will fully indemnify TI and its representatives against any damages arising out of the use of any TI components in safety-critical applications.

In some cases, TI components may be promoted specifically to facilitate safety-related applications. With such components, TI's goal is to help enable customers to design and create their own end-product solutions that meet applicable functional safety standards and requirements. Nonetheless, such components are subject to these terms.

No TI components are authorized for use in FDA Class III (or similar life-critical medical equipment) unless authorized officers of the parties have executed a special agreement specifically governing such use.

Only those TI components which TI has specifically designated as military grade or "enhanced plastic" are designed and intended for use in military/aerospace applications or environments. Buyer acknowledges and agrees that any military or aerospace use of TI components which have **not** been so designated is solely at the Buyer's risk, and that Buyer is solely responsible for compliance with all legal and regulatory requirements in connection with such use.

TI has specifically designated certain components as meeting ISO/TS16949 requirements, mainly for automotive use. In any case of use of non-designated products, TI will not be responsible for any failure to meet ISO/TS16949.

Products

Audio	www.ti.com/audio
Amplifiers	amplifier.ti.com
Data Converters	dataconverter.ti.com
DLP® Products	www.dlp.com
DSP	dsp.ti.com
Clocks and Timers	www.ti.com/clocks
Interface	interface.ti.com
Logic	logic.ti.com
Power Mgmt	power.ti.com
Microcontrollers	microcontroller.ti.com
RFID	www.ti-rfid.com
OMAP Applications Processors	www.ti.com/omap
Wireless Connectivity	www.ti.com/wirelessconnectivity

Applications

Automotive and Transportation	www.ti.com/automotive
Communications and Telecom	www.ti.com/communications
Computers and Peripherals	www.ti.com/computers
Consumer Electronics	www.ti.com/consumer-apps
Energy and Lighting	www.ti.com/energy
Industrial	www.ti.com/industrial
Medical	www.ti.com/medical
Security	www.ti.com/security
Space, Avionics and Defense	www.ti.com/space-avionics-defense
Video and Imaging	www.ti.com/video

TI E2E Community

e2e.ti.com