

4

3

2

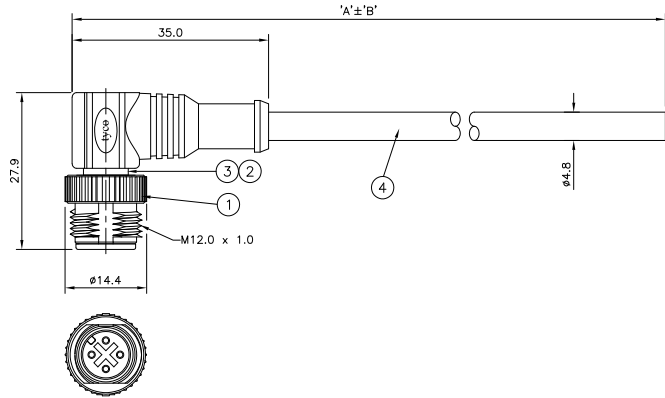
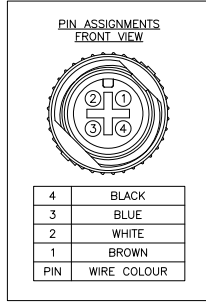
1

THIS DRAWING IS UNPUBLISHED.		RELEASED FOR PUBLICATION		AUG. 2005.		REVISONS	
© COPYRIGHT 2005 BY TYCO ELECTRONICS CORPORATION. ALL RIGHTS RESERVED.				LOC	DIST	DESCRIPTION	
				E	B	P	LTR
						B	ECR-07-011430
							DATE
							14/05/07
							DWN
							AM
							APVD
							FWK

NOTES:

- ELECTRICAL DATA: CONTACT RESISTANCE: 10 mOhm MAX  
INSULATION RESISTANCE: 100 MOhm MIN at 500VDC  
CURRENT RATING: 5 AMPS  
BREAKDOWN VOLTAGE: 500 VAC MIN PER MINUTE
- ENVIRONMENTAL: OPERATING TEMPERATURE: -25°C TO +90°C  
SEALING REQUIREMENTS: IP67
- PROD SPEC: 108-3641
- PACKAGING: 107-3334
- FOR TECHNICAL DATA REFER TO YOUR LOCAL TYCO ELECTRONICS SALES OFFICE
- ALL DIMENSIONS ARE NOMINAL FOR REFERENCE ONLY UNLESS OTHERWISE STATED

ITEM	DESCRIPTION	MATERIAL	FINISH/COLOUR	QTY
1	SCREW NUT	ZINC DIE CAST	2.5µm NICKEL PLATED	1
2	CONNECTOR BODY	POLYURETHANE	BLACK	1
3	PIN CONTACT	BRASS	0.15µm GOLD PLATED OVER NICKEL	4
4	CORE CABLE (CORES 0.34 mm <sup>2</sup> )	PU JACKET	BLACK	1



10000	500mm	M12 RIGHT ANGLED MALE CONNECTOR 10.0m CABLE	1838251-5
7000	350mm	M12 RIGHT ANGLED MALE CONNECTOR 7.0m CABLE	1838251-4
5000	250mm	M12 RIGHT ANGLED MALE CONNECTOR 5.0m CABLE	1838251-3
3000	150mm	M12 RIGHT ANGLED MALE CONNECTOR 3.0m CABLE	1838251-2
2000	100mm	M12 RIGHT ANGLED MALE CONNECTOR 2.0m CABLE	1838251-1
DIM A TOL 'B'		DESCRIPTION	PART NUMBER

THIS DRAWING IS A CONTROLLED DOCUMENT.		DWN	22AUG05	Tyco Electronics Corporation	
		H M RAGHAVENDRA		Bideford, UK, EX39 4HE	
DIMENSIONS:		CHK	07AUG06	Tyco Electronics	
mm	TOLERANCES UNLESS OTHERWISE SPECIFIED:	F.WHEELER-KING		M12 RIGHT ANGLED MALE CONNECTOR	
	0 PLC ±	APVD	07AUG06	4 POSITION, PU CABLE	
	1 PLC ±	PRODUCT SPEC			
	2 PLC ±	APPLICATION SPEC			
	3 PLC ±	WEIGHT			
	4 PLC ±	CUSTOMER DRAWING			
	ANGLES ±	SCALE	NTS	SHEET 1 OF 1	
MATERIAL	FINISH	SIZE	A3	CAGE CODE	00779
		DRAWING NO	G=1838251		RESTRICTED TO
		REV			B