

4

3

2

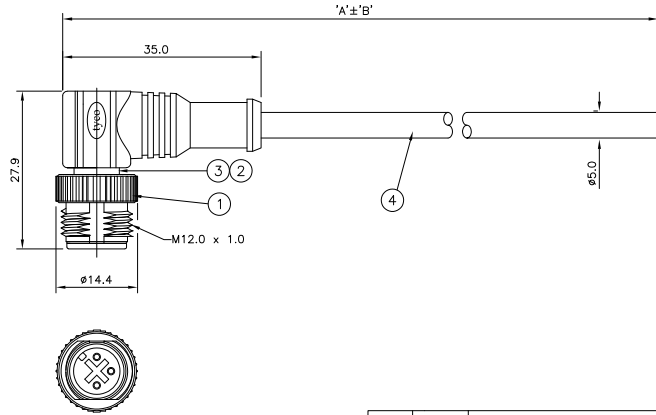
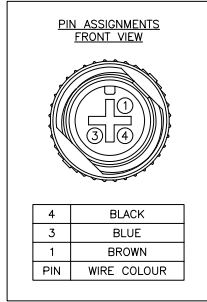
1

THIS DRAWING IS UNPUBLISHED.		RELEASED FOR PUBLICATION		LOC		DIST		REVISIONS			
© COPYRIGHT - By -		ALL RIGHTS RESERVED.		E		B					
				P		LTR		DESCRIPTION			
				C1		REVISED PER ECO-11-005150		DATE		DWN	
								21MAR11		RK	
										HMR	

NOTES:

- ELECTRICAL DATA: CONTACT RESISTANCE: 10 mOhm MAX
INSULATION RESISTANCE: 100 MOhm MIN at 500VDC
CURRENT RATING: 5 AMPS
BREAKDOWN VOLTAGE: 500 VAC MIN PER MINUTE
- ENVIRONMENTAL: OPERATING TEMPERATURE: -20°C TO +80°C
SEALING REQUIREMENTS: IP67
- PROD SPEC: 108-3641
- PACKAGING: 107-3334
- FOR TECHNICAL DATA REFER TO YOUR LOCAL TE CONNECTIVITY SALES OFFICE
- ALL DIMENSIONS ARE NOMINAL FOR REFERENCE ONLY UNLESS OTHERWISE STATED

ITEM	DESCRIPTION	MATERIAL	FINISH/COLOUR	QTY
1	SCREW NUT	ZINC DIE CAST	2.5µm NICKEL PLATED	1
2	CONNECTOR BODY	POLYURETHANE	BLACK	1
3	PIN CONTACT	BRASS	0.15µm GOLD PLATED OVER NICKEL	3
4	3 CORE CABLE (CORES 22AWG TO UL2464)	PVC JACKET UV RESISTANT	BLACK	1



10000	500 mm	M12 RIGHT ANGLED MALE CONNECTOR 10.0m CABLE	1838248-5
7000	350 mm	M12 RIGHT ANGLED MALE CONNECTOR 7.0m CABLE	1838248-4
5000	250 mm	M12 RIGHT ANGLED MALE CONNECTOR 5.0m CABLE	1838248-3
3000	150 mm	M12 RIGHT ANGLED MALE CONNECTOR 3.0m CABLE	1838248-2
2000	100 mm	M12 RIGHT ANGLED MALE CONNECTOR 2.0m CABLE	1838248-1
DIM A	TOL 'B'	DESCRIPTION	PART NUMBER

THIS DRAWING IS A CONTROLLED DOCUMENT.		DWN 22AUG05 H M RAGHAVENDRA		TE Connectivity	
DIMENSIONS:		CHK 15DEC05 F.WHEELER-KING			
mm		APVD 15DEC05 F.WHEELER-KING		NAME	
		TOLERANCES UNLESS OTHERWISE SPECIFIED:		M12 RIGHT ANGLED MALE CONNECTOR 3 POSITION, PVC CABLE	
0 PLC ±		0.15 ±		SIZE	
1 PLC ±		0.25 ±		CAGE CODE	
2 PLC ±		0.50 ±		DRAWING NO	
3 PLC ±		1.00 ±		RESTRICTED TO	
4 PLC ±		2.00 ±		A3 00779 C=1838248	
ANGLES ±		±		SCALE	
MATERIAL		FINISH		CUSTOMER DRAWING	
				SCALE NTS SHEET 1 of 1 REV C1	