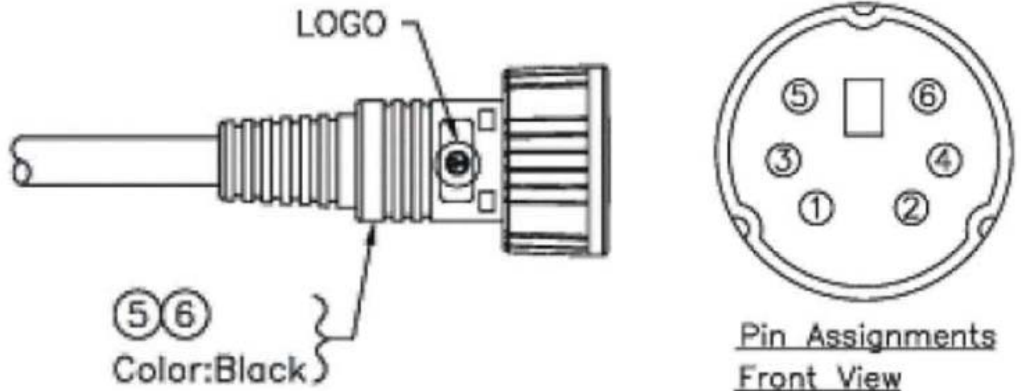
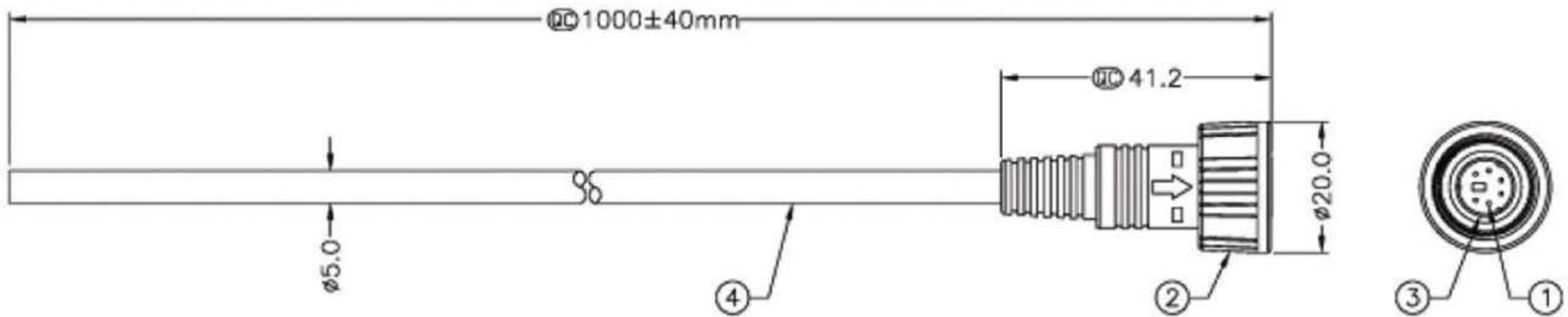


A  
B  
C  
D  
E  
F  
G  
H

A  
B  
C  
D  
E  
F  
G  
H



- Material:**
- Connector: Mini DIN Plug
  - Cable: UL2464 26AWG\*6C+D+T  
Black, OD=5.0mm



Scale	1:1						Name
TOLERANCE					Drawn	12.01.11	Chappell
X.X	±0.40				Approved		
X.XX	±0.25						
X.XXX	±0.15						
Angle	±3°						



Item No.		<b>A-KMD-06AFMM-WP-R</b>
Title		
Drawing No.		<b>rev00</b>
Replace		
Sheet		