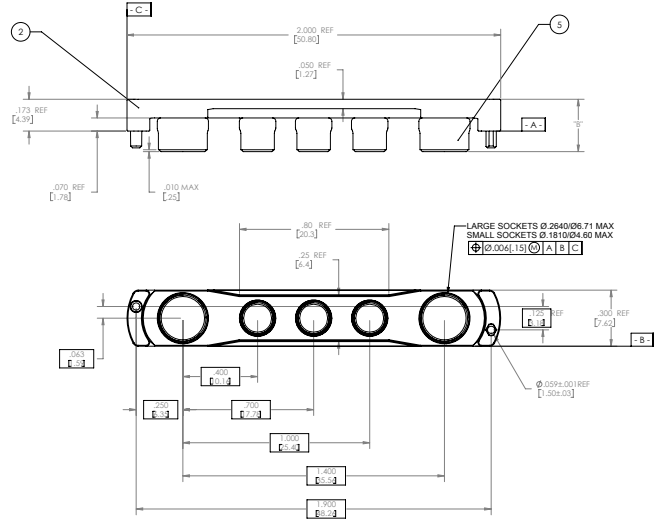
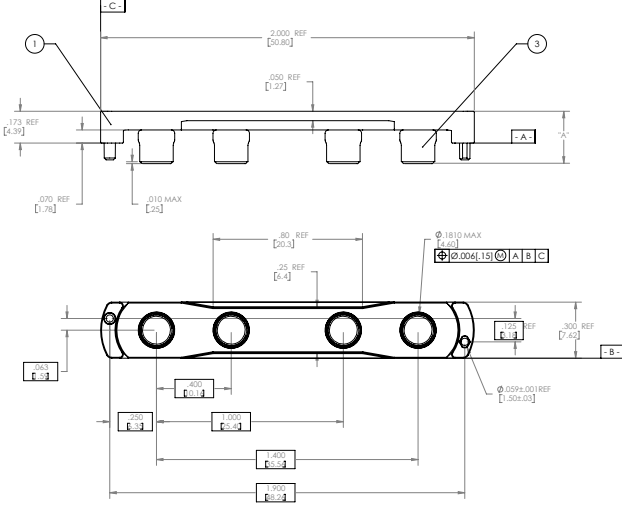


REV.	DESCRIPTION	DATE	APPROVED
1	RELEASED PER E0230307	PE 07/11/02	JMR
2	REVISED PER E080070	SA 01/15/08	REJH
3	REVISED PER E091153	JS 09/29/09	REJH
4	REVISED PER E092276	JS 12/30/09	REJH
5	REVISED PER E120065	VSS 01/20/12	KUK

9/8L VICOR IN

8L VICOR OUT



DASH NO.	SOCKET BODY LENGTH INCH/MM	DIA "A" INCH/MM	DIA "B" INCH/MM	INPUT	OUTPUT	KIT #
-01	.100/2.54	.280/7.11	.280/7.11	18378	18390	18368
-02	.135/3.43	.315/8.00	.315/8.00	18379	18391	18369
-03	.160/4.06	.340/8.64	.340/8.64	21539	21544	21511

- NOTE:
1. MATERIALS: INMATES: PPS RYTON 7
SOCKETS: 86-CU #25; Au PLATED.
2. FULLY SEAT SOCKET INTO INMATE HEADER.
3. ROHS COMPLIANT PER CST-0001 LATEST REVISION.

DESIGNER: DATE: **VICOR** 100
LAP/REVISION: 000
DWG, VI-800 INMATE/SOCKET, LN
ID: 67131
SCALE: 4:1
20030-XX
SHEET 1 OF 1