



PRODUCT DATASHEET

Leila series

last update 20/9/2013

DETAILS

Product Number	FCA12265_LR2-W
Family	Leila
Type	Assembly
Color	white
Diameter	21,6 mm
Height	14,6 mm
Style	round
Optic Material	PMMA
Holder Material	PC
Fastening	pin, tape
Status	ready
ROHS Comliant	Yes
Date Updated	20/09/2013



OPTICAL PROPERTIES

LED	Viewing Angle	Light Beam	Efficiency	cd/lm	connector
LUXEON Rebel	(simulated)		-	-	-

D

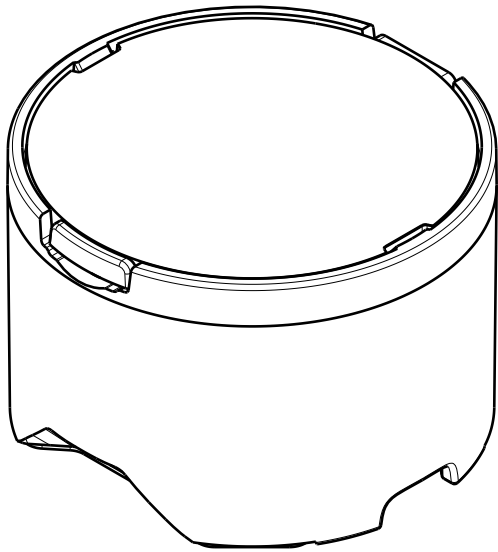
C

B

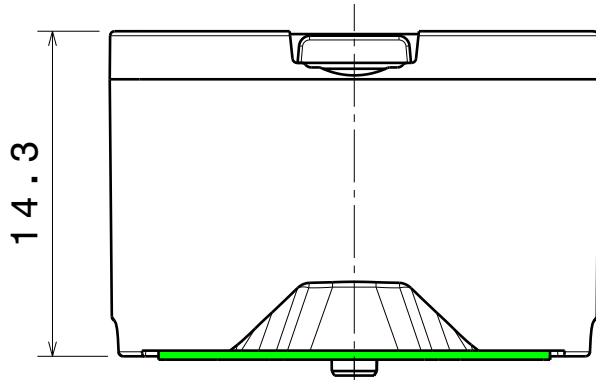
A

4

4



Isometric view
Scale: 3:1



Front view
Scale: 3:1

3

3

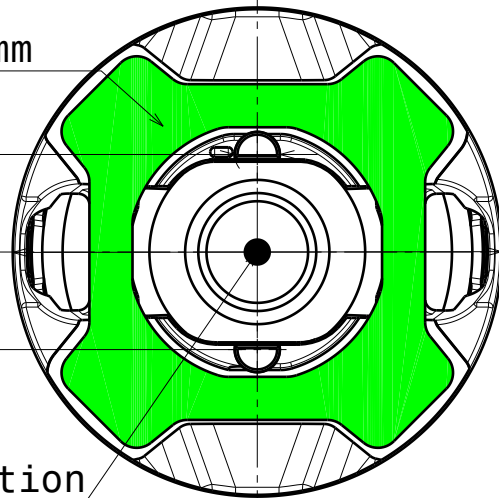
Tape 0.4mm

∅2

8.6
C/C

∅21.56

LED position



Bottom view
Scale: 3:1

2

2

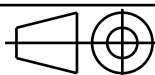
CA12393_LR2-W
FCA11275_LR2-W
FCA12265_LR2-W

Tolerances if not otherwise shown
According to DIN ISO 2768-1
Linear measures:
Up to 30mm class F, otherwise class M.
According to DIN ISO 2768-2
Form and position: class K

LEDiL

Ledil Oy
Salorankatu 10
FIN 24240 SALO
Finland

THIRD ANGLE PROJECTION:



DRAWING TITLE

Leila-LR2-W

This drawing is the property
of LEDiL Oy. It may not be
reproduced, copied or
communicated without a written
agreement with LEDiL Oy."

SIZE PART NUMBER

A4

-

1

1

NOTE: The typical divergence will be changed by different color, chip size and chip position tolerance. The typical total divergence is the full angle measured where the luminous intensity is half of the peak value.