



## PRODUCT DATASHEET

### Bridget series

last update 18/10/2013

## DETAILS

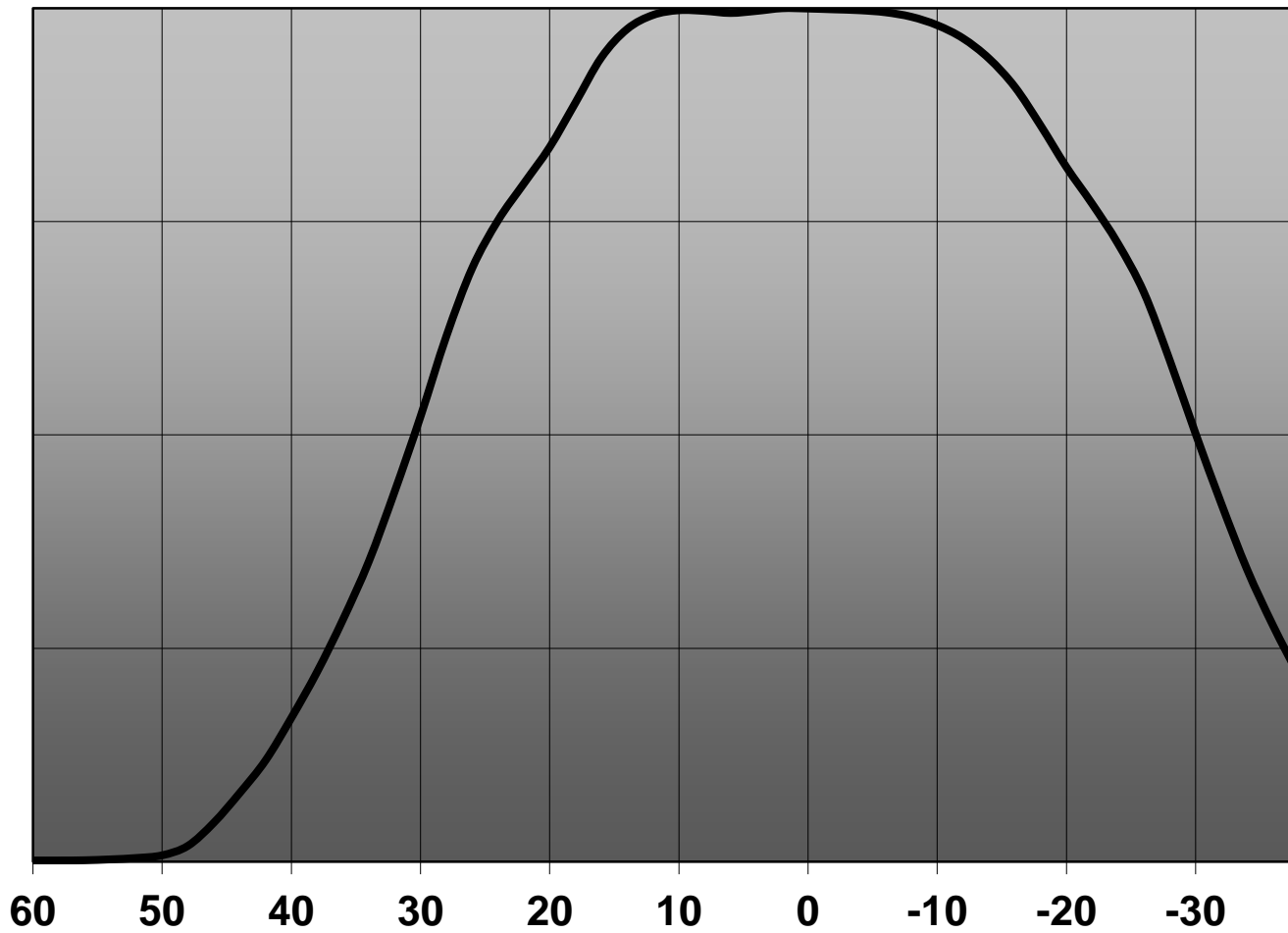
Product Number	C13555_BRIDGET-W-UNI
Family	Bridget
Type	Reflector
Color	metal
Diameter	22.6 mm
Height	12.8 mm
Style	hexag
Optic Material	PC
Holder Material	
Fastening	glue
Status	ready
ROHS Comliant	Yes
Date Updated	18/10/2013



## OPTICAL PROPERTIES

LED	Viewing Angle	Light Beam	Efficiency	cd/lm	connector
CXA15xx	60 degrees		87 %	1.000	-
Soleriq P9	61 degrees		87 %	1.000	-
Mini Zenigata (GW5BM)	62 degrees		87 %	1.000	-
CLL02x	62 degrees		87 %	0.900	-
BXRA ES Star	63 degrees		86 %	0.900	-

### Relative intensity of C13555\_BRIDGET-W-UNI\_(So

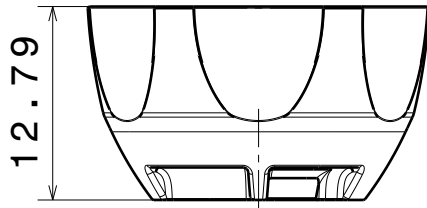


D

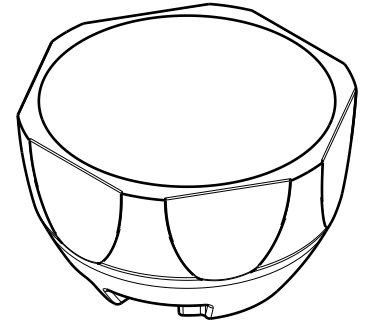
C

B

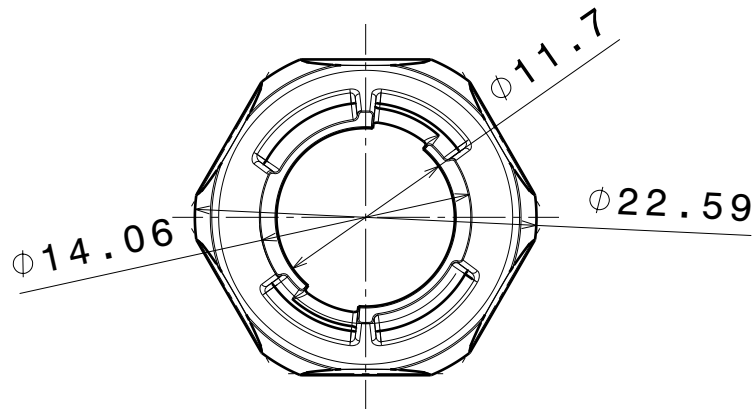
A



Front view



Isometric view



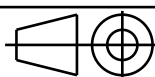
Bottom view

Tolerances if not otherwise shown  
According to DIN ISO 2768-1  
Linear measures:  
Up to 30mm class F, otherwise class M.  
According to DIN ISO 2768-2  
Form and position: class K

**LEDiL**

Ledil Oy  
Salorankatu 10  
FIN 24240 SALO  
Finland

THIRD ANGLE PROJECTION:



DRAWING TITLE

BRIDGET\_UNI\_Datasheet

This drawing is the property  
of LEDiL Oy. It may not be  
reproduced, copied or  
communicated without a written  
agreement with LEDiL Oy."

SIZE

PART NUMBER

A4

-

4

4

3

3

2

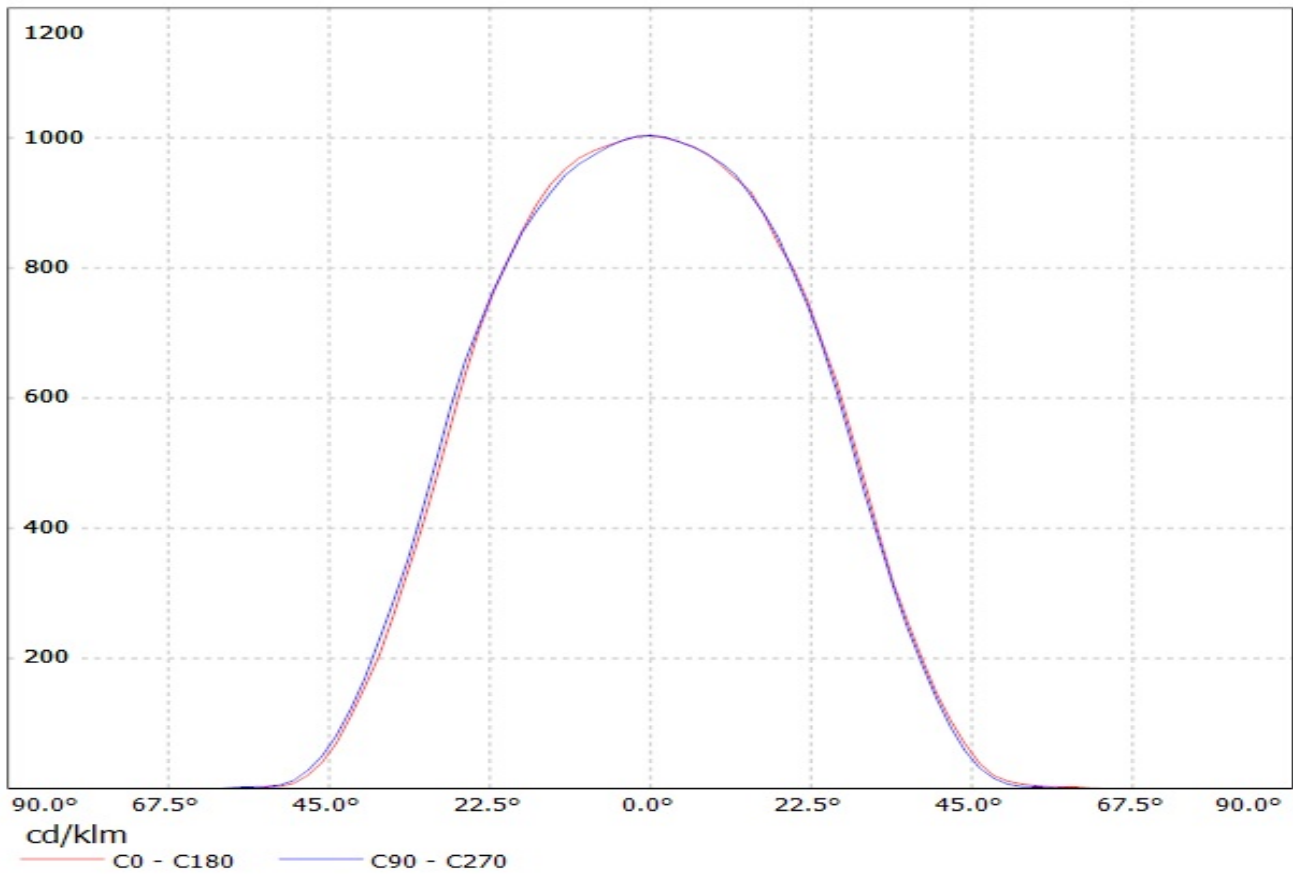
2

1

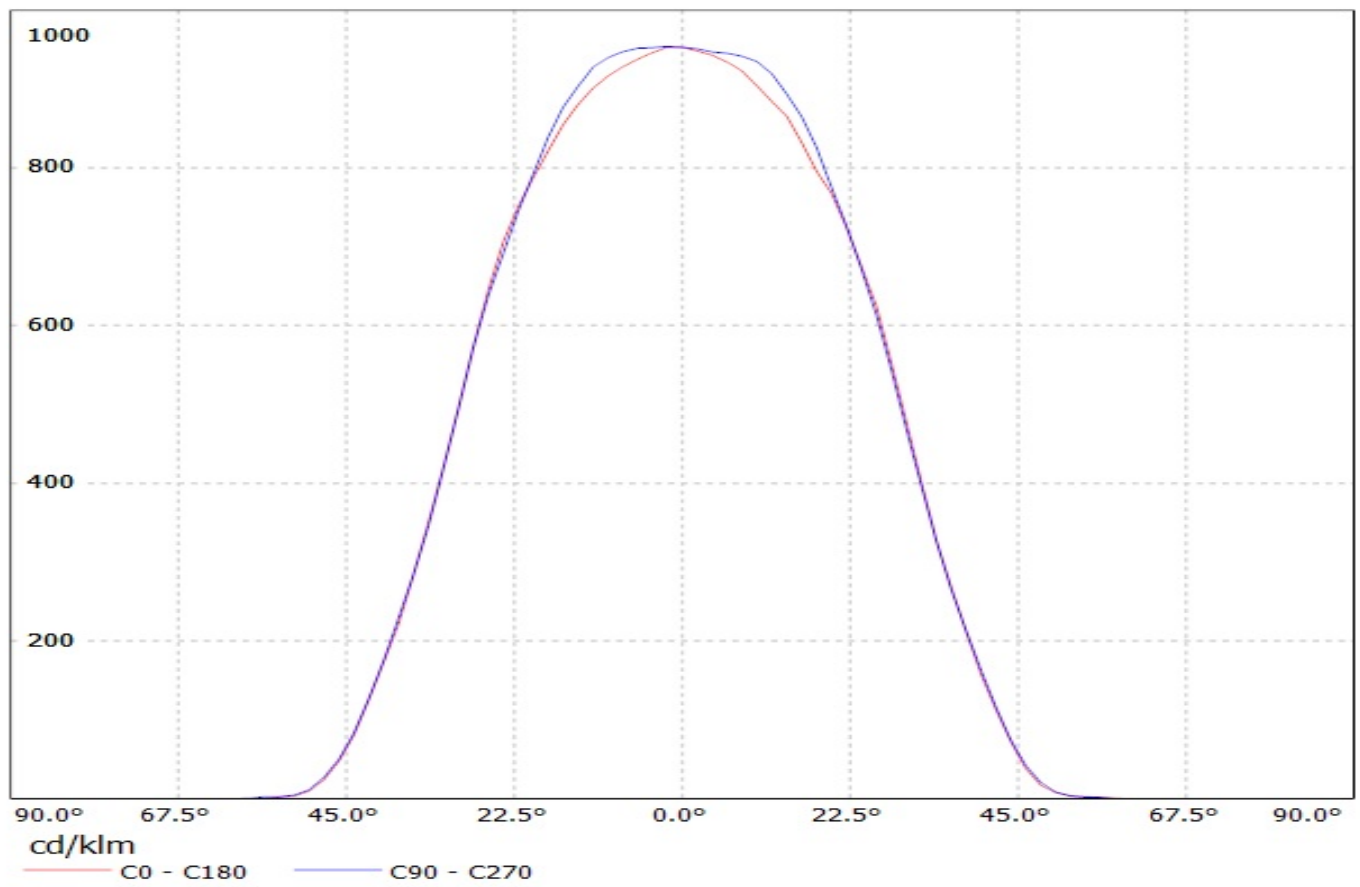
1

Luminaire: Ledil Oy C13555\_BRIDGET-W-UNI\_(CXA15) Efficiency=87%

Lamps: 1 x Cree CXA1507 (CXA1507-30F-F2-N0A-00000) 219lm @ 50mA CCT=3100K P=1.7W I=50mA

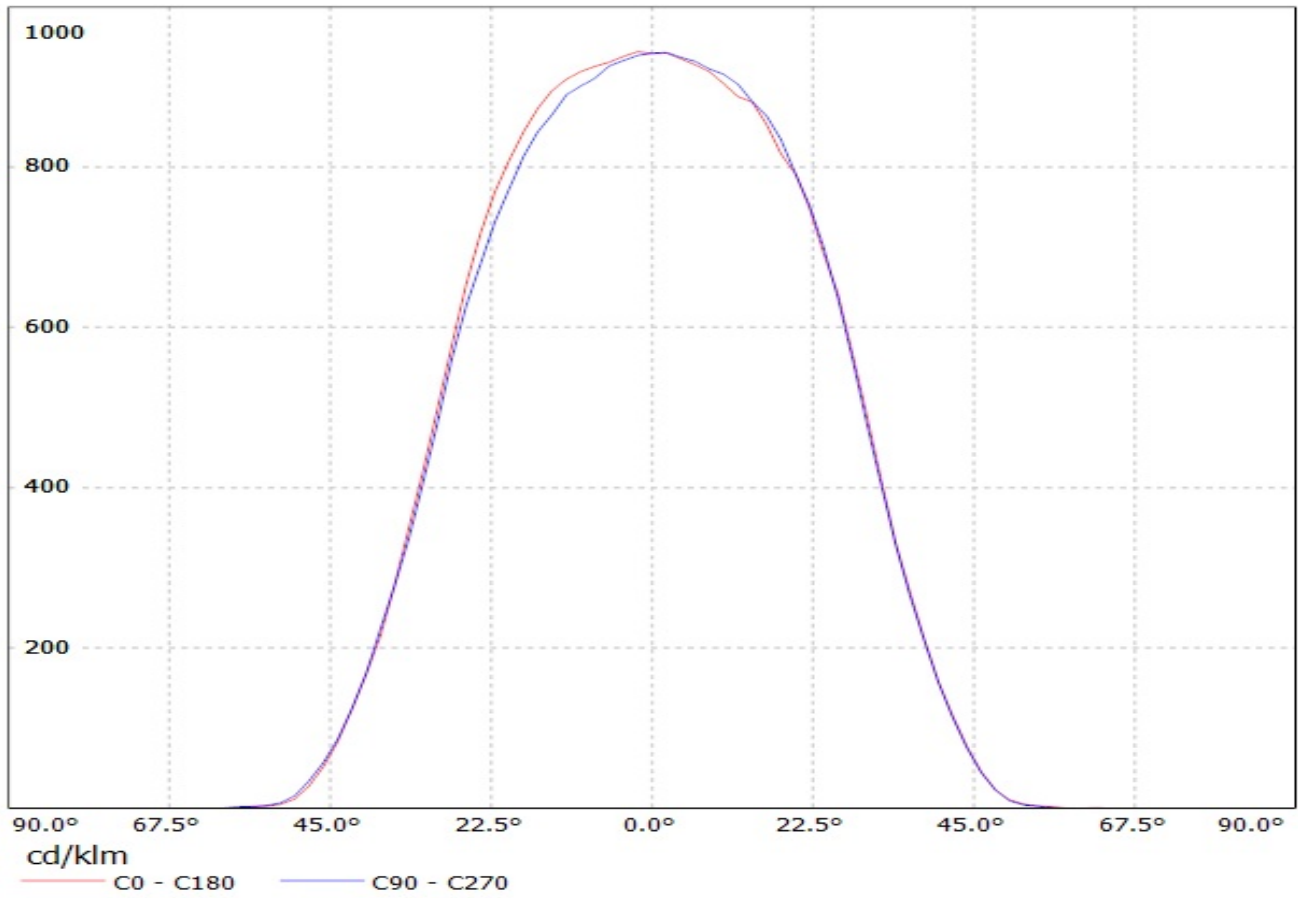


Luminaire: LEDil Oy C13555\_BRIDGET-W-UNI\_(Mini\_Zenigata\_GW5BJT) Efficiency=87%  
Lamps: 1 x Sharp Mini Zenigata (GW5BTJ) 378lm @ 250mA CCT=4100K P=4.5W I=250mA

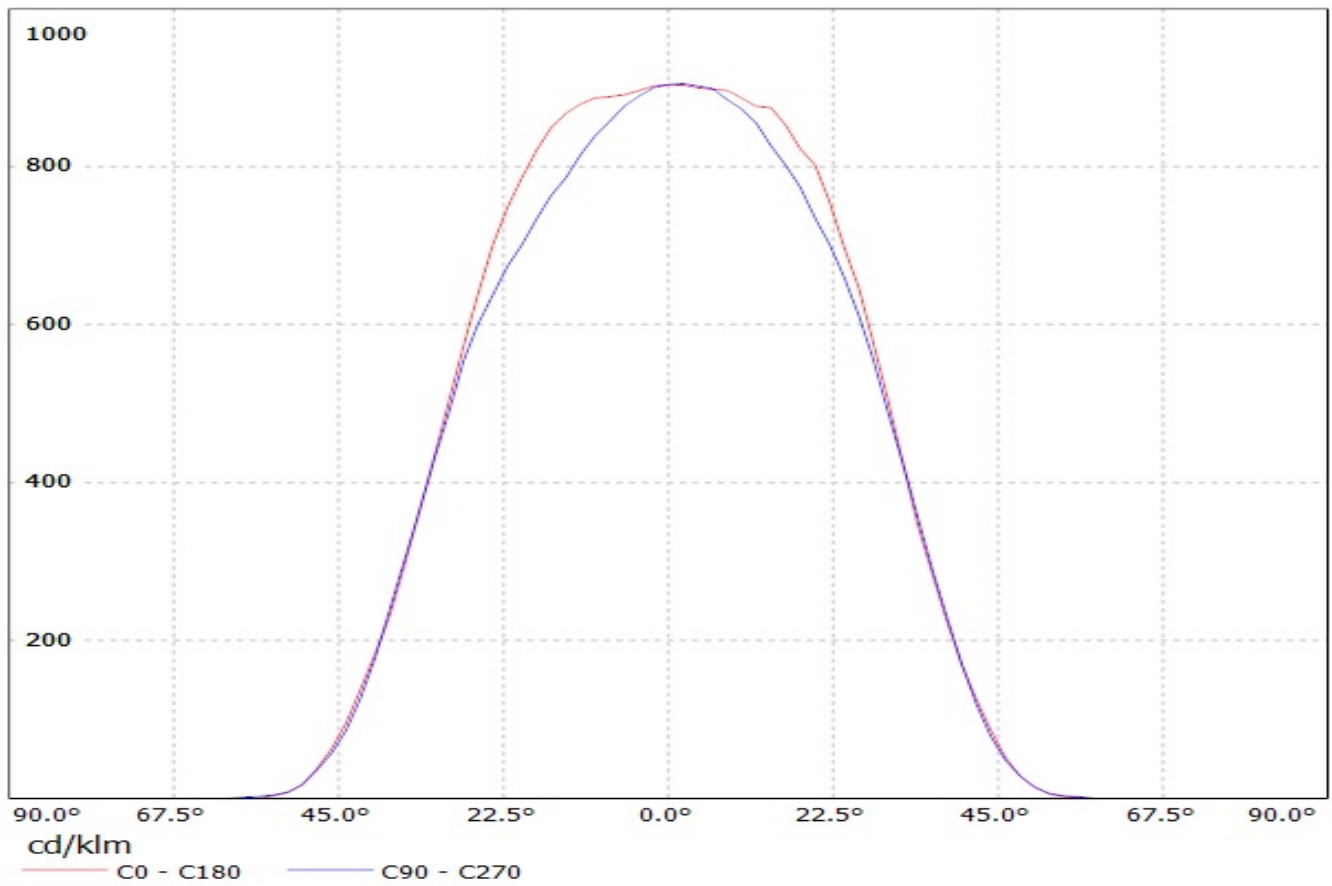


Luminaire: LEDil Oy C13555\_BRIDGET-W-UNI\_(CLL020) Efficiency=87%

Lamps: 1 x Citizen CLL020 (CLL020-1202A5-303H1A7) 515lm @ 250mA CCT=3000K P=9.3W I=250mA

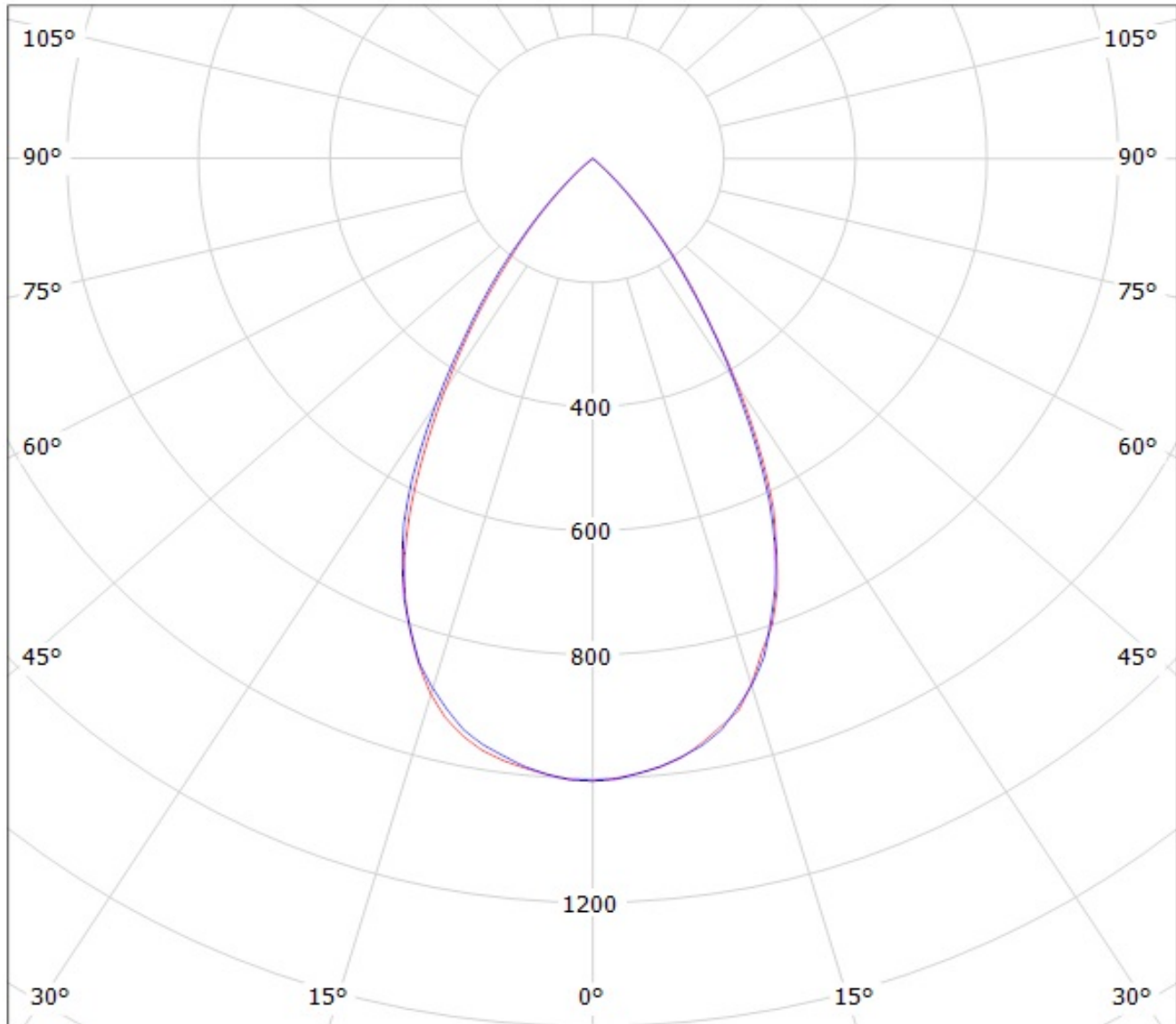


Luminaire: LEDil Oy C13555\_BRIDGET-W-UNI (BXRA\_ES\_STAR) Efficiency=86%  
Lamps: 1 x Bridgelux BXRA ES Star (C0402) 203lm @ 250mA CCT=7300K P=2.2W I=250mA



Luminaire: Ledil Oy C13555\_BRIDGET-W-UNI\_(CXA15) Efficiency=87%

Lamps: 1 x Cree CXA1507 (CXA1507-30F-F2-N0A-00000) 219lm @ 50mA CCT=3100K P=1.7W I=50mA



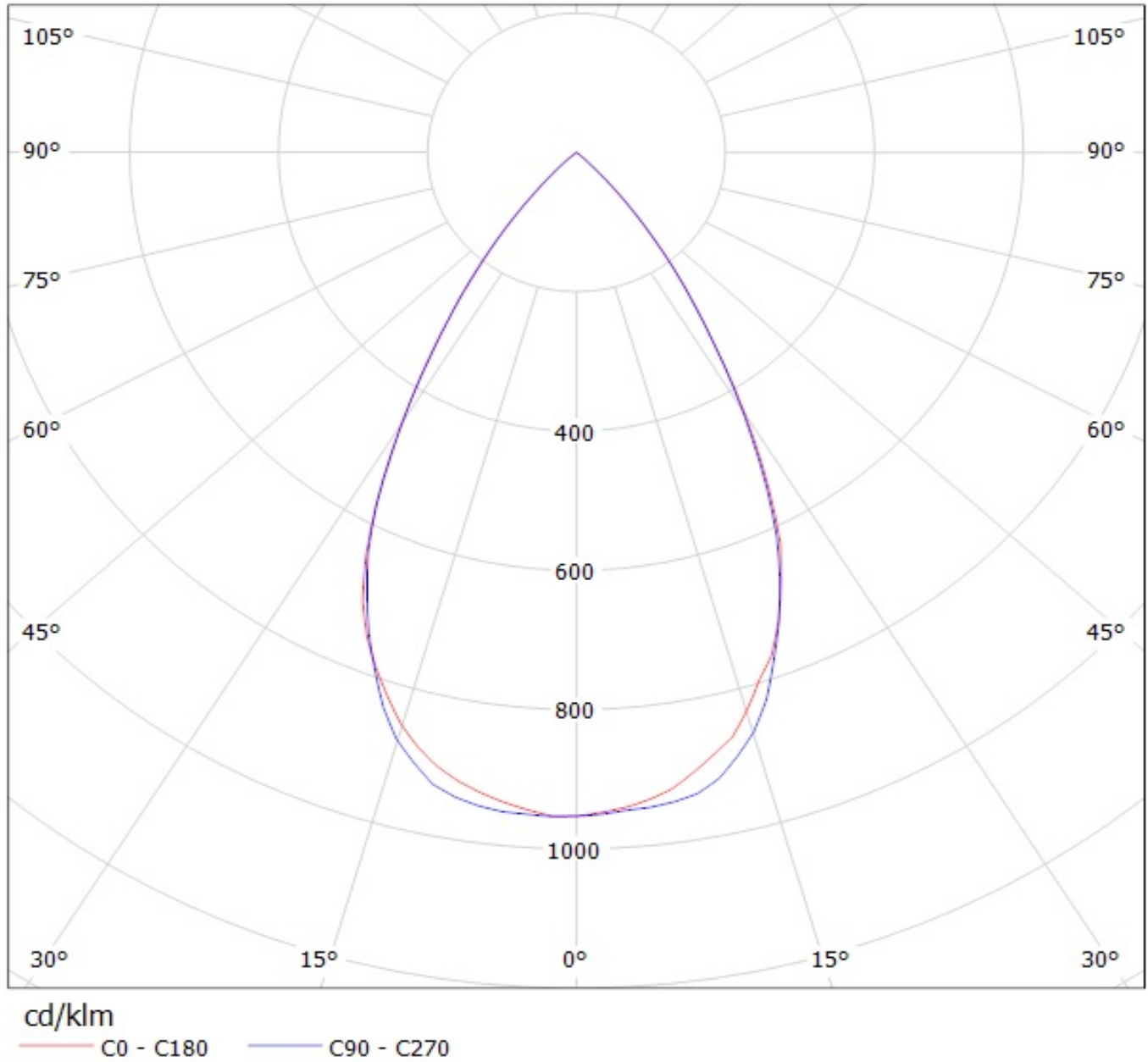
cd/klm

— C0 - C180

— C90 - C270

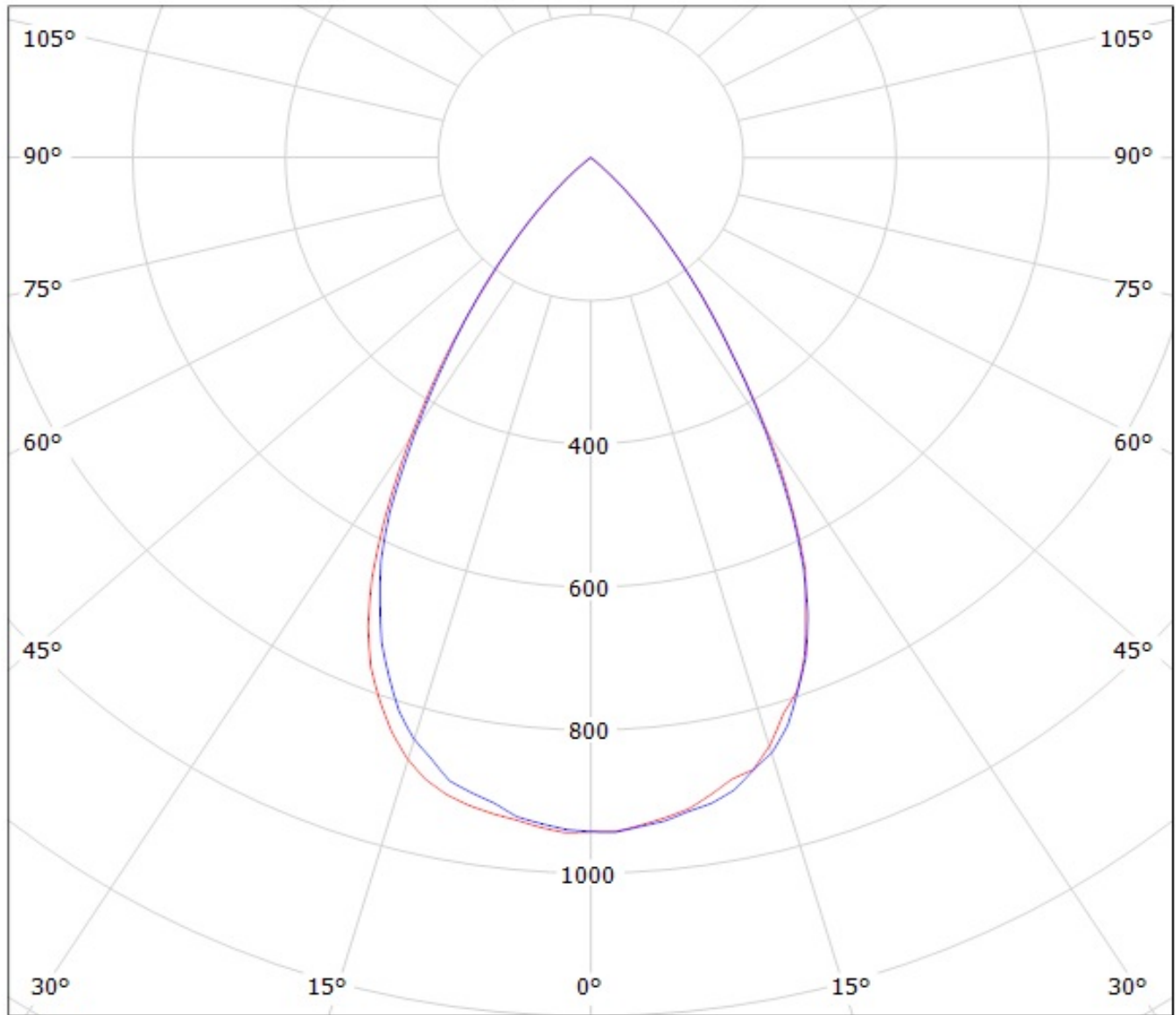


Luminaire: LEDil Oy C13555\_BRIDGET-W-UNI\_(Mini\_Zenigata\_GW5BJT) Efficiency=87%  
Lamps: 1 x Sharp Mini Zenigata (GW5BTJ) 378lm @ 250mA CCT=4100K P=4.5W I=250mA



Luminaire: LEDil Oy C13555\_BRIDGET-W-UNI\_(CLL020) Efficiency=87%

Lamps: 1 x Citizen CLL020 (CLL020-1202A5-303H1A7) 515lm @ 250mA CCT=3000K P=9.3W I=250mA



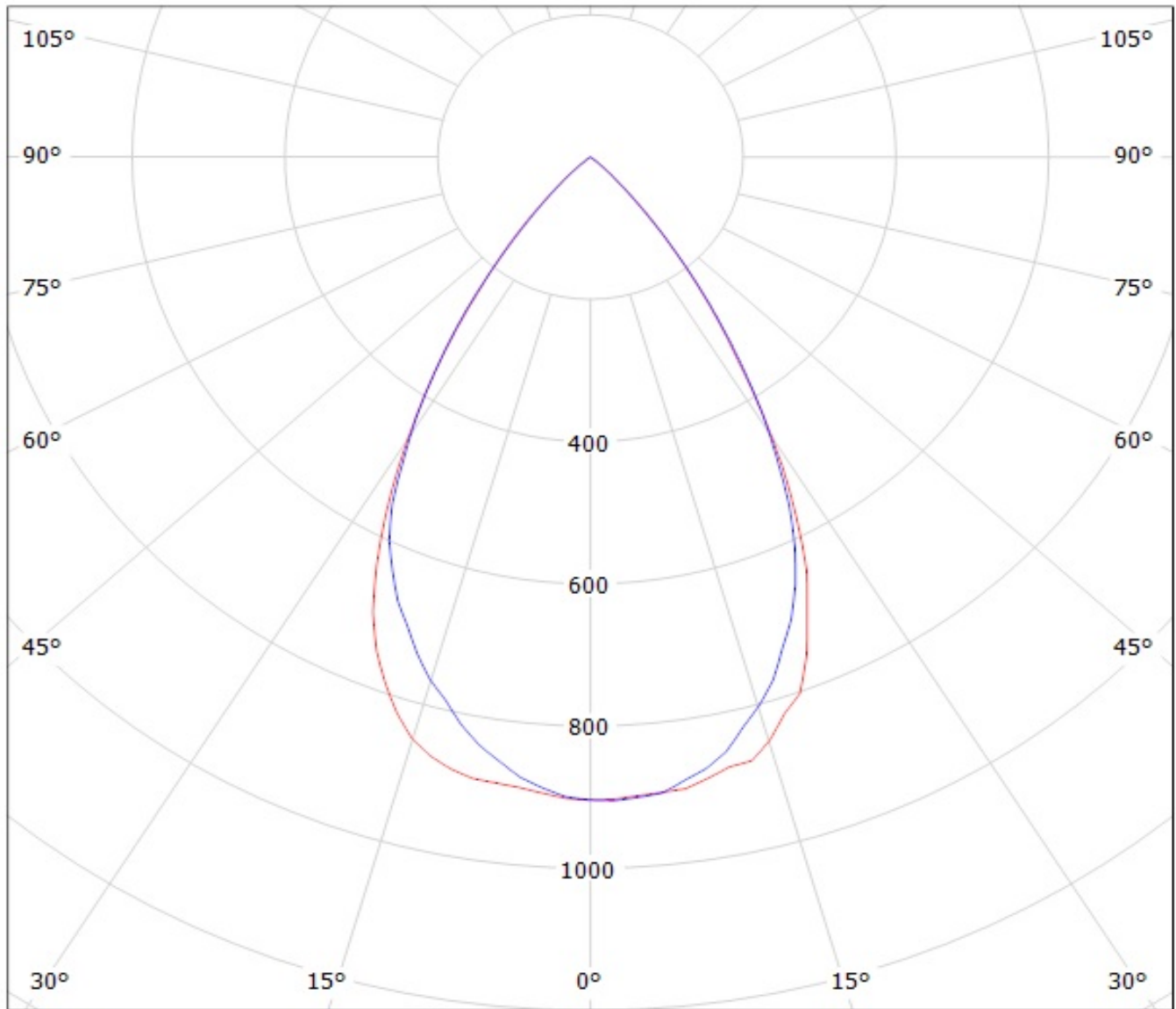
cd/klm

— C0 - C180

— C90 - C270

Luminaire: LEDil Oy C13555\_BRIDGET-W-UNI\_(BXRA\_ES\_STAR) Efficiency=86%

Lamps: 1 x Bridgelux BXRA ES Star (C0402) 203lm @ 250mA CCT=7300K P=2.2W I=250mA



cd/klm

— C0 - C180

— C90 - C270

**NOTE: The typical divergence will be changed by different color, chip size and chip position tolerance. The typical total divergence is the full angle measured where the luminous intensity is half of the peak value.**

### **GENERAL INFORMATION**

- Product series especially designed & optimized for series of LEDs.
- Special care taken to make light distribution as uniform as possible.
- Reflector is made of aluminium coated PC (120 degrees of Celcius / 248 degrees of Fahrenheit) with protective lacquer (short term 100 degrees of Celcius / 212 degrees of Fahrenheit).

- Fastening to PCB with appropriate adhesive. By clicking link below you can find Ledil recommended glue options.

[http://www.ledil.com/datasheets/DataSheet\\_GLUES.pdf](http://www.ledil.com/datasheets/DataSheet_GLUES.pdf)

Note! Due to use of high power COB's with this product, special attention to proper thermal design is highly recommended. LEDiL has no liability for direct, indirect or consecutive damages arising from the LEDiL products being used outside of the recommended temperature range.

**NOTE 1: We advise customer to ensure the suitability and sufficiency of the bond in the end product. For example, mechanical stress, vibration and holes on the surface of the circuit board weaken the strength of the glue.**

**NOTE 2: All surfaces where glue is applied must be clean, dry and free from grease and dirt. If cleaning of PCB surfaces is needed, please follow strictly the cleaning instructions of your LED manufacturer -this is important as cleaning shall under no circumstances damage LEDs or other electronics components on the PCB.**

**Further note that optical components shall not be cleaned with any chemicals - only micro fiber cloth may be used to remove fingerprints or other traces from handling.**