

LEDiL

PRODUCT DATASHEET

Lena series

last update 5/7/2012



Ordering number CN12712_LENA-S

Family	Lena	FWHM	12 degrees
Type	Reflector	Efficiency	88 %
LED	CLL030	cd/Im	-
Color	Metal	Gerber File	Available
Diameter	111 mm		
Height	85.4 mm		
Style	Round		
Optic Material	PC		
Holder Material	PC		
Fastening	Screw		
Status	Ready		



Ordering number CN12718_LENA-S-DL

Family	Lena	FWHM	12 degrees
Type	Reflector	Efficiency	83 %
LED	CLL030	cd/Im	-
Color	Metal	Gerber File	Available
Diameter	111 mm		
Height	85.4 mm		
Style	Round		
Optic Material	PC		
Holder Material	PC		
Fastening	Screw		
Status	Ready		



Ordering number CN12713_LENA-M

Family	Lena	FWHM	19 degrees
Type	Reflector	Efficiency	86 %
LED	CLL030	cd/Im	-
Color	Metal	Gerber File	Available
Diameter	111 mm		
Height	85.4 mm		
Style	Round		
Optic Material	PC		
Holder Material	PC		
Fastening	Screw		
Status	Ready		



Ordering number CN12719_LENA-M-DL

Family	Lena	FWHM	20 degrees
Type	Reflector	Efficiency	81 %
LED	CLL030	cd/Im	-
Color	Metal	Gerber File	Available
Diameter	111 mm		
Height	85.4 mm		
Style	Round		
Optic Material	PC		
Holder Material	PC		
Fastening	Screw		
Status	Ready		

LEDiL

PRODUCT DATASHEET Lena series

last update 5/7/2012

CITIZEN



Ordering number CN12714_LENA-W

Family	Lena	FWHM	43 degrees
Type	Reflector	Efficiency	83 %
LED	CLL030	cd/lm	-
Color	Metal	Gerber File	Available
Diameter	111 mm		
Height	85.4 mm		
Style	Round		
Optic Material	PC		
Holder Material	PC		
Fastening	Screw		
Status	Ready		



Ordering number CN12720_LENA-W-DL

Family	Lena	FWHM	44 degrees
Type	Reflector	Efficiency	78 %
LED	CLL030	cd/lm	-
Color	Metal	Gerber File	Available
Diameter	111 mm		
Height	85.4 mm		
Style	Round		
Optic Material	PC		
Holder Material	PC		
Fastening	Screw		
Status	Ready		

NOTE: The typical divergence will be changed by different color, chip size and chip position tolerance. The typical total divergence is the full angle measured where the luminous intensity is half of the peak value.



PRODUCT DATASHEET

Lena series

last update 5/7/2012

CITIZEN

GENERAL INFORMATION

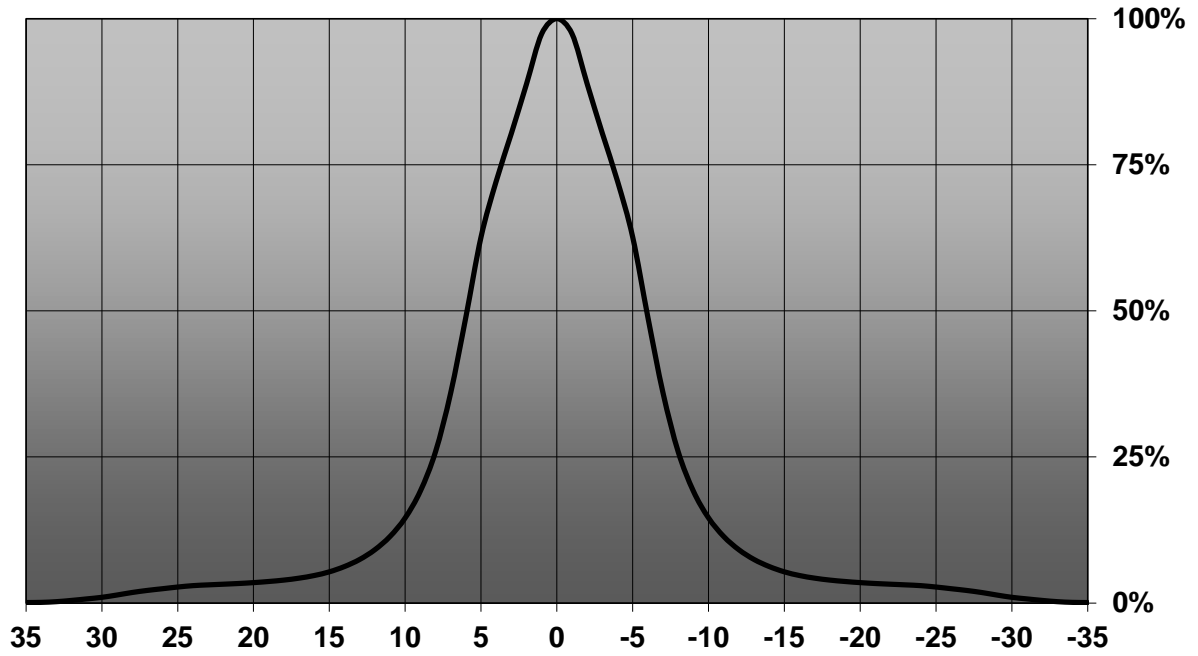
- Product series especially designed & optimized for CLL030 series of LEDs.
- Special care taken to make light distribution as uniform as possible.
- Lens material optical grade PC with high UV and temperature resistance (120 degrees of Celcius / 248 degrees of Fahrenheit). Allows use of high current and temperature conditions.

Please find more information about used materials from below:

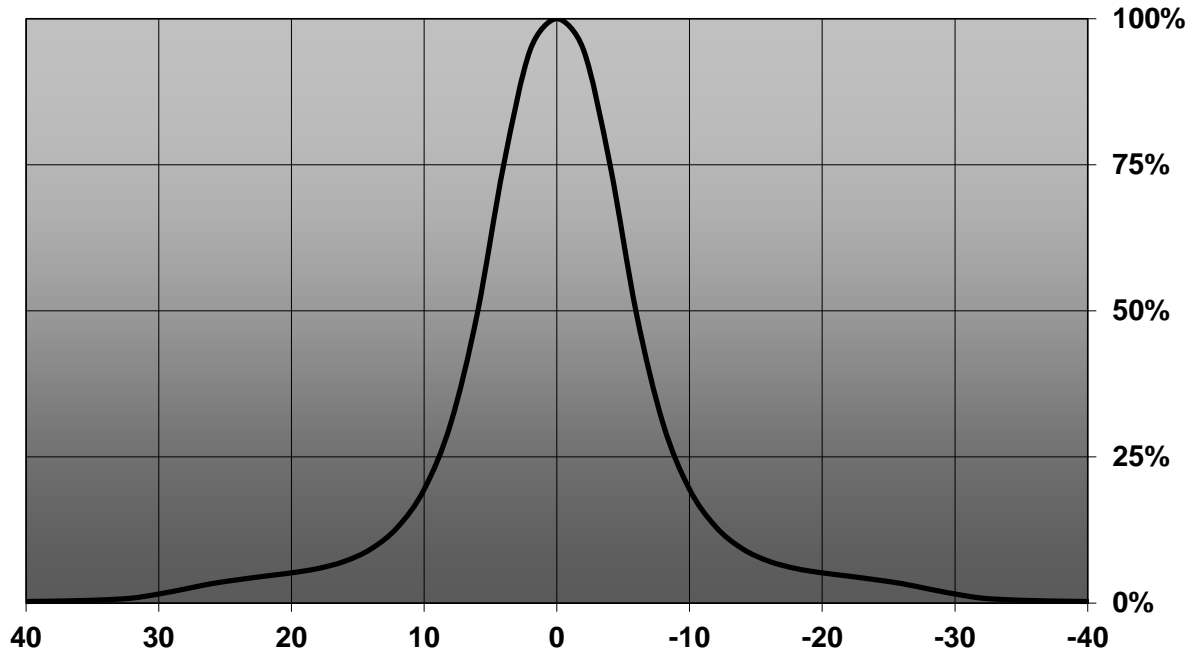
http://ledil.fi/sites/default/files/Documents/Technical/Material/PC%20Makrolon%202400_2407_2456_2458-UL.pdf

- Reflector is made of aluminium coated PC (120 degrees of Celcius / 248 degrees of Fahrenheit) with protective lacquer (110 degrees of Celcius / 230 degrees of Fahrenheit).
- Optic holder molded by high quality PC material (120 dergees of Celcius / 248 degrees of Fahrenheit).

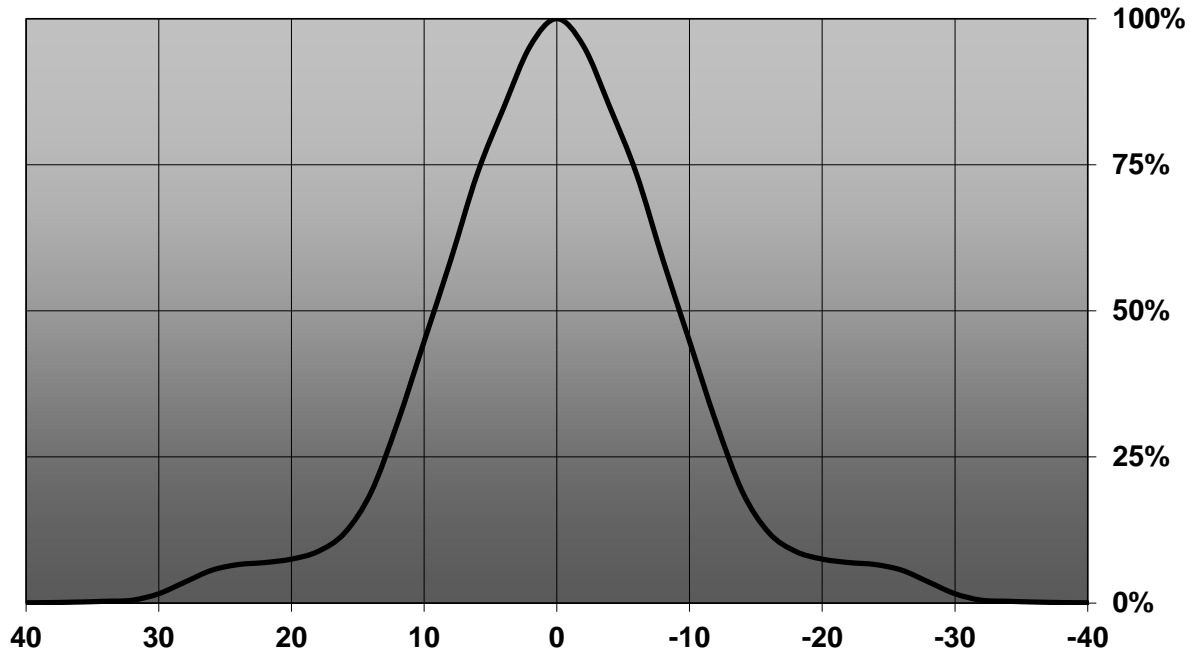
Relative intensity of CN12712_LENA-S (CLL030-1208)



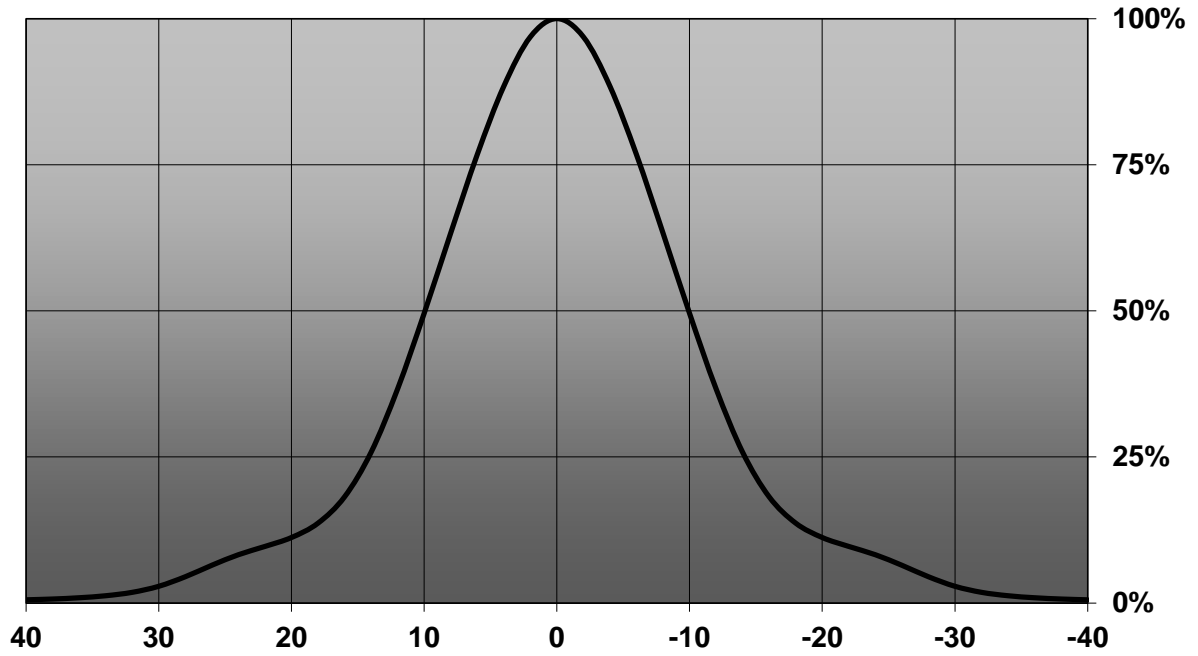
Relative intensity of CN12718_LENA-S-DL (CLL030-1208)



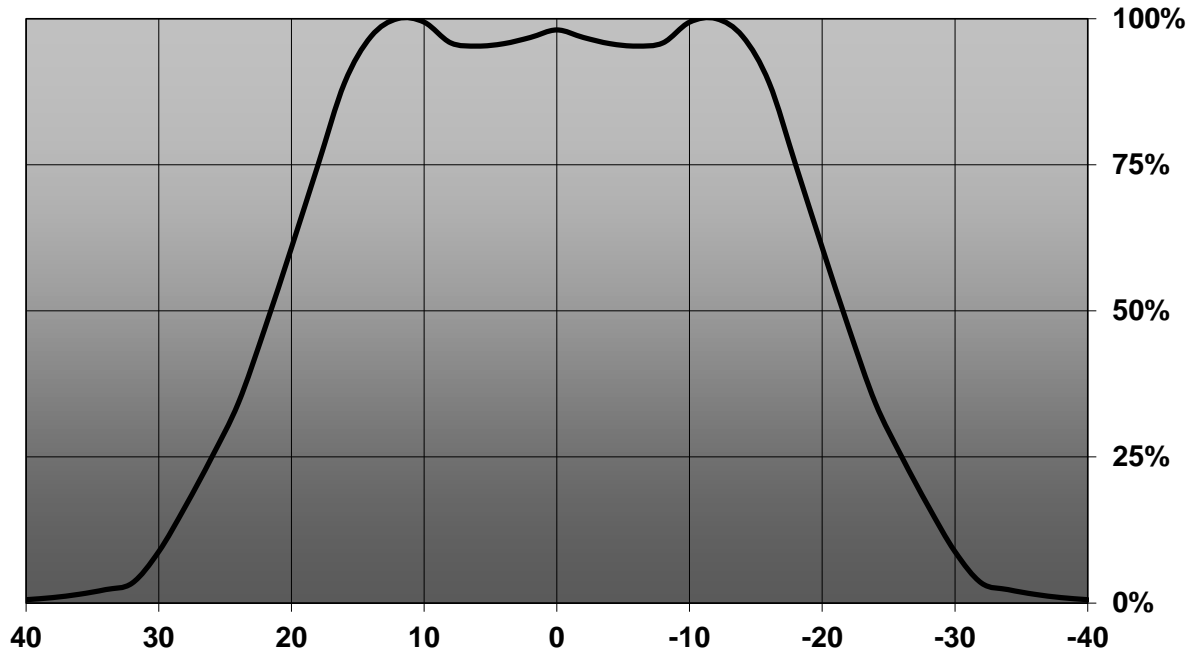
Relative intensity of CN12713_LENA-M (CLL030-1208)



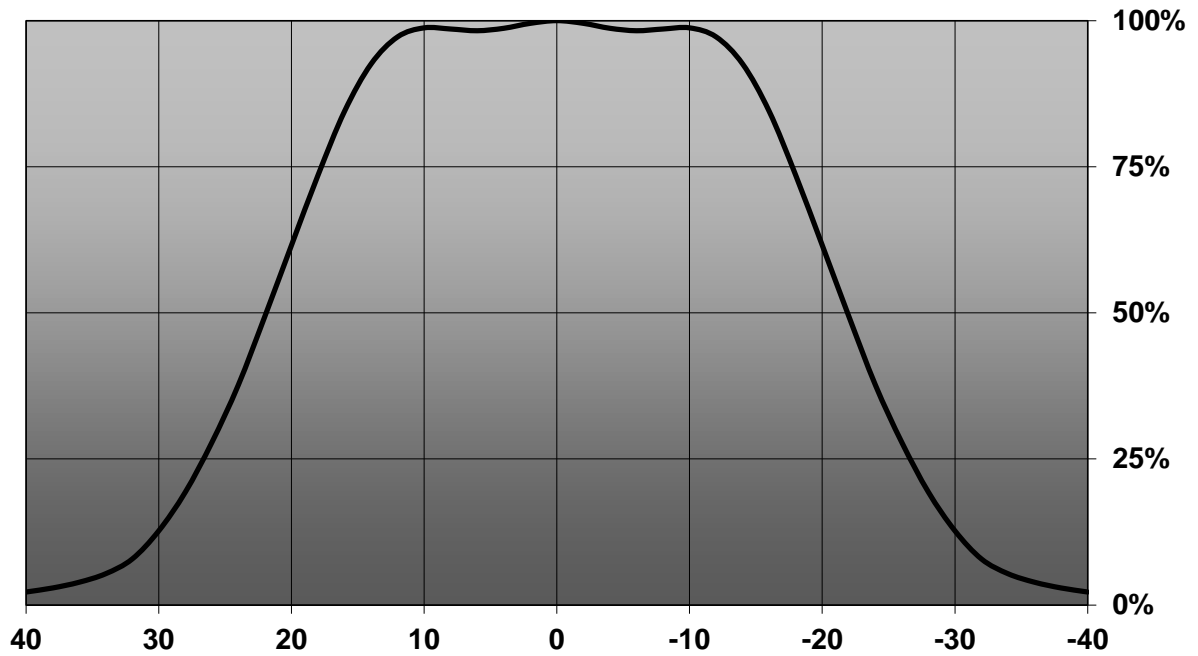
Relative intensity of CN12719_LENA-M-DL (CLL030-1208)



Relative intensity of CN12714_LENA-W (CLL030-1208)



Relative intensity of CN12720_LENA-W-DL (CLL030-1208)

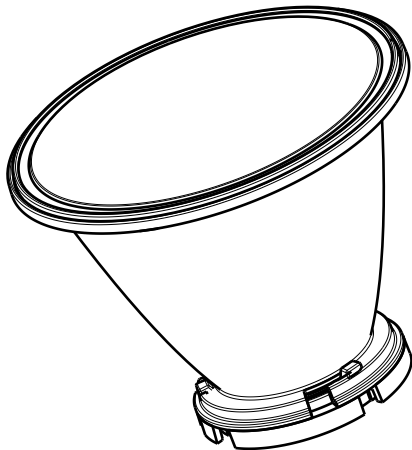


D

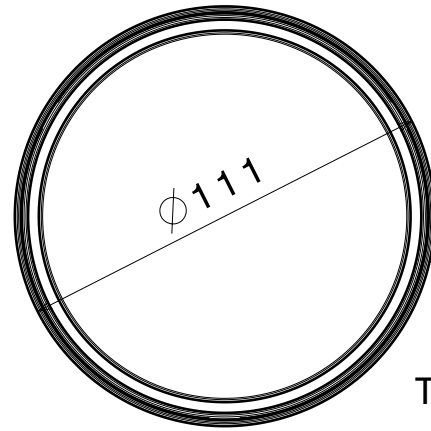
C

B

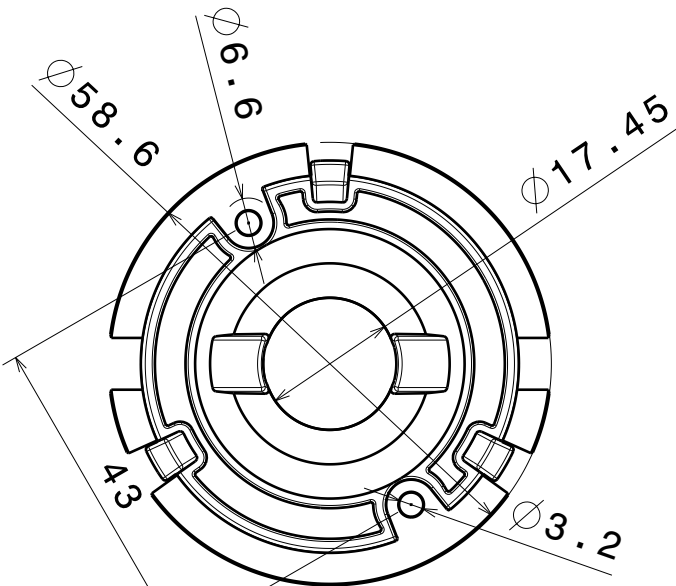
A



Isometric view

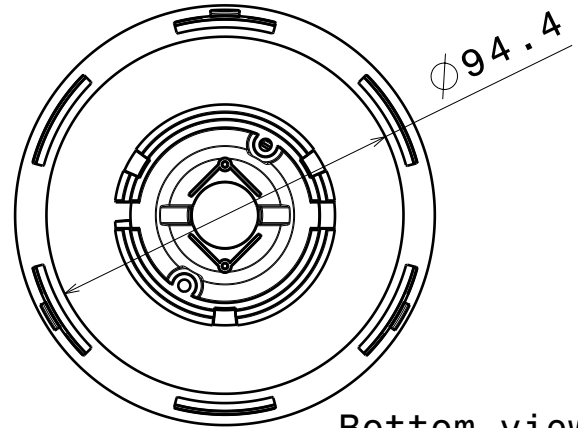


Top view



Front view

Scale: 1:1



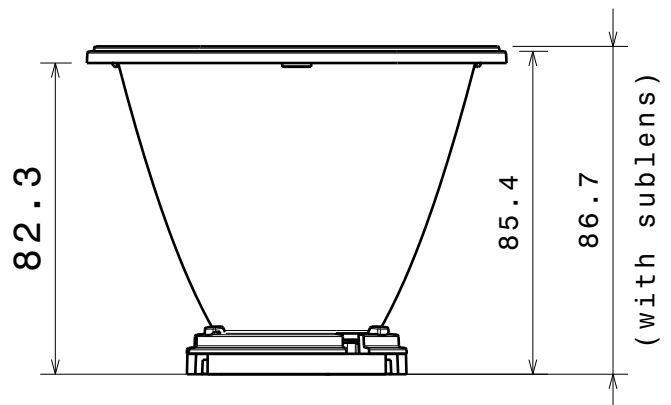
Bottom view

Material:

subLens
- PMMA

Reflector
- PC
- Metal coating and clear lacquer

Holder base
- PC
- Color white



Front view

This drawing is our property.
It can't be reproduced
or communicated without
our written agreement.



L
S
F
F
e
i
a
i
n
N

DRAWING TITLE

Datasheet Lena-CLL030 series Assy

DRAWN BY

DATE

a

10.04.2012

CHECKED BY

DATE

SIZE

DRAWING NUMBER

REV

A4

1