



## PRODUCT DATASHEET

### Boom series

last update 22/5/2014

## DETAILS

Product Number	CA10716_BOOM-S
Family	Boom
Type	RefAssy
Color	metal
Diameter	22.2 mm
Height	13.74 mm
Style	hexag
Optic Material	PC
Holder Material	
Fastening	tape
Status	ready
ROHS Comliant	Yes
Date Updated	22/05/2014



## OPTICAL PROPERTIES

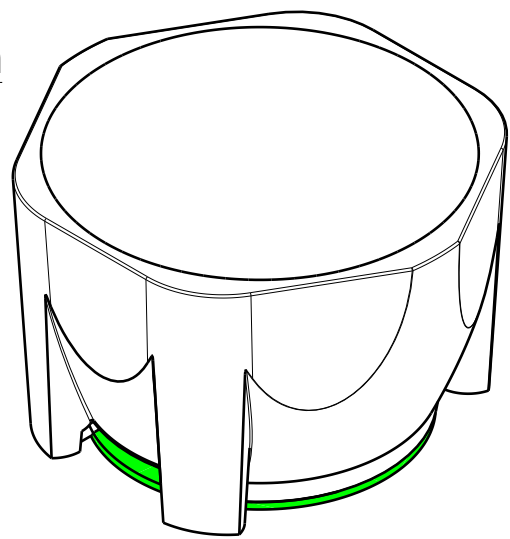
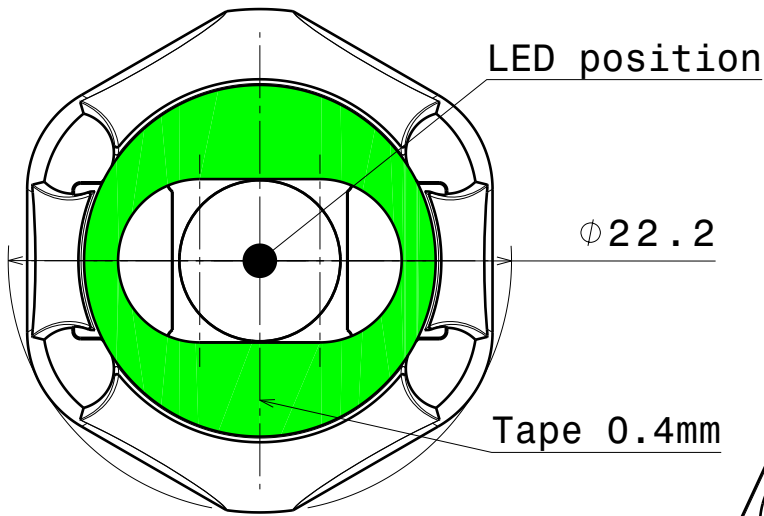
LED	Viewing Angle	Light Beam	Efficiency	cd/lm	connector
XR-E	10 degrees		-	(simulated) 0.000	-
MC-E	20 degrees		-	4.120	-

D

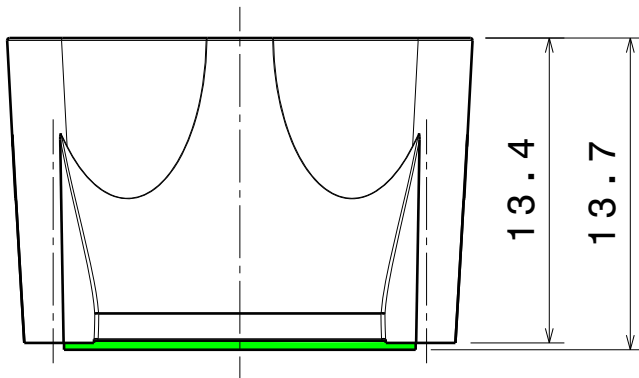
C

B

A



Isometric view  
Scale: 3:1

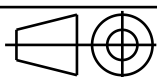


Tolerances if not otherwise shown  
According to DIN ISO 2768-1  
Linear measures:  
Up to 30mm class F, otherwise class M.  
According to DIN ISO 2768-2  
Form and position: class K

**LEDiL**

Ledil Oy  
Salorankatu 10  
FIN 24240 SALO  
Finland

THIRD ANGLE PROJECTION:



DRAWING TITLE

CA10716\_BOOM-S

This drawing is the property  
of LEDiL Oy. It may not be  
reproduced, copied or  
communicated without a written  
agreement with LEDiL Oy."

SIZE

PART NUMBER

A4

CA10716

4

4

3

3

2

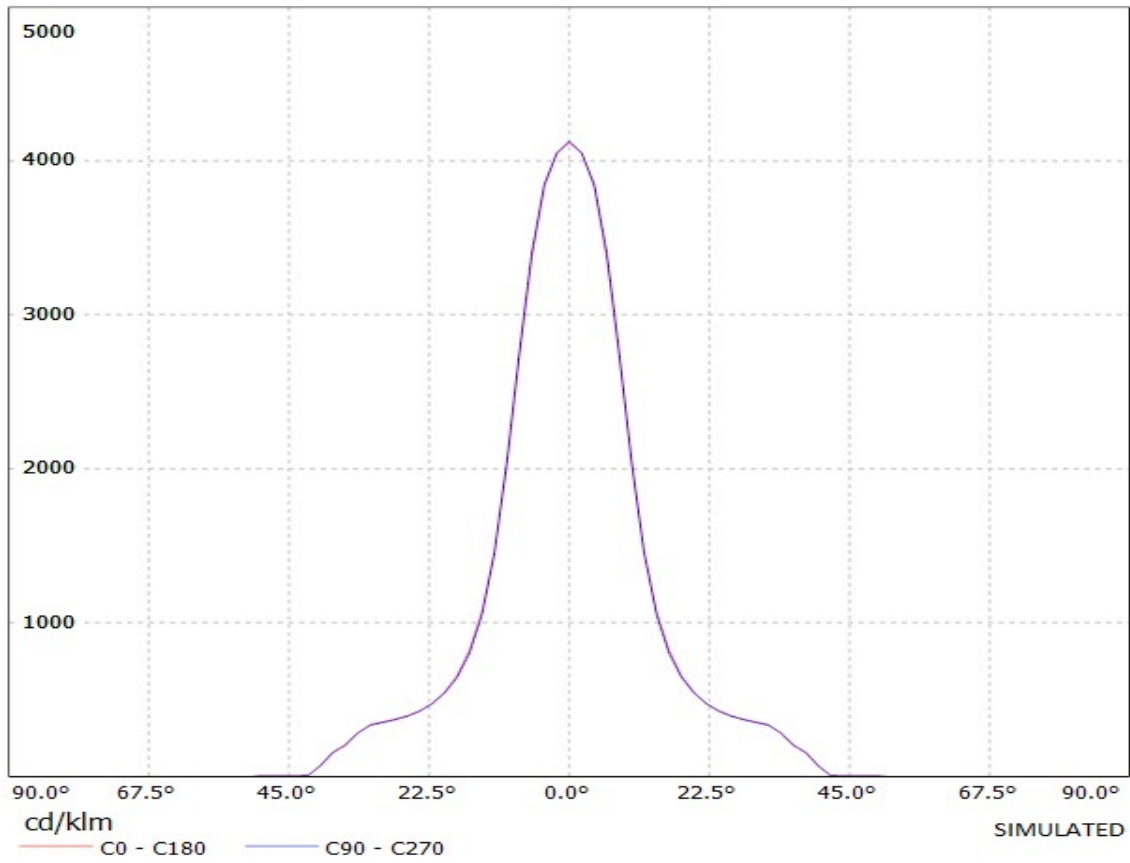
2

1

1

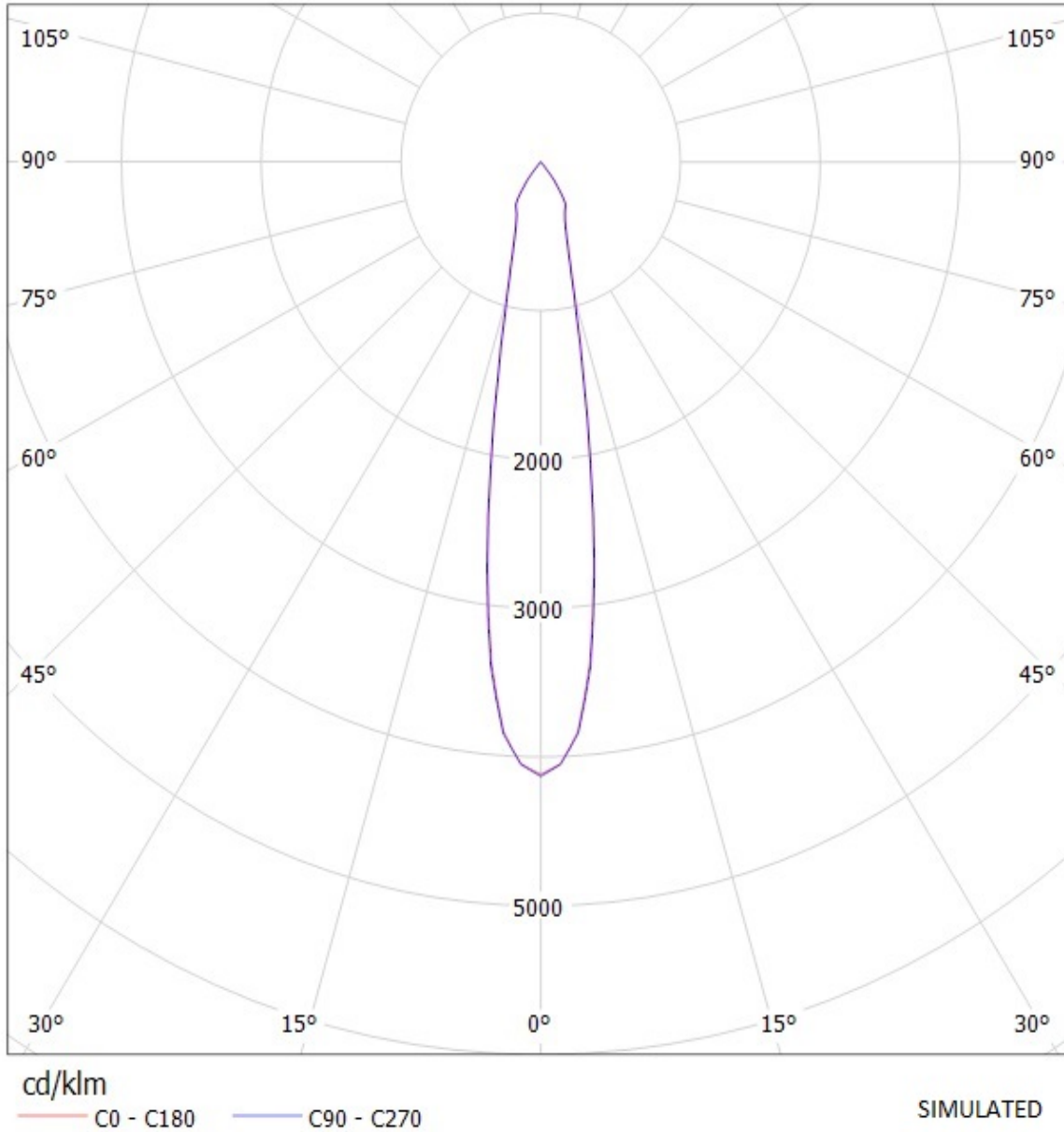
**Ledil Oy CA10716\_Boom-MC-S CA10716\_Boom-MC-S / LDC (Linear)**

Luminaire: Ledil Oy CA10716\_Boom-MC-S CA10716\_Boom-MC-S  
Lamps: 1 x Cree MC-E (white)



**Ledil Oy CA10716\_Boom-MC-S CA10716\_Boom-MC-S / LDC (Polar**

Luminaire: Ledil Oy CA10716\_Boom-MC-S CA10716\_Boom-MC-S  
Lamps: 1 x Cree MC-E (white)



**NOTE: The typical divergence will be changed by different color, chip size and chip position tolerance. The typical total divergence is the full angle measured where the luminous intensity is half of the peak value.**

#### **GENERAL INFORMATION**

- Product series especially designed & optimized for series of LEDs.
- Special care taken to make light distribution as uniform as possible.
- Reflector is made of aluminium coated PC (120 degrees of Celcius / 248 degrees of Fahrenheit) with protective lacquer (short term 100 degrees of Celcius / 212 degrees of Fahrenheit).
- Fastening to heat sink with a PU foam adhesive tape of automotive grade. Please find fastening details by clicking link: [http://www.ledil.com/datasheets/DataSheet\\_TAPE.pdf](http://www.ledil.com/datasheets/DataSheet_TAPE.pdf)

**NOTE 1: We advise customer to ensure the suitability and sufficiency of the bond in the end product. For example, mechanical stress, vibration and holes on the surface of the circuit board weaken the strength of the tape.**

**NOTE 2: Assembly to the surface must be made straight, so the tape bonds constant and balanced with fastening surface. Slanted assembly might cause unbalanced bond to the surface. All surfaces where tape is applied must be clean, dry and free from grease and dirt.**

**If cleaning of PCB surfaces is needed, please follow strictly the cleaning instructions of your LED manufacturer - this is important as cleaning shall under no circumstances damage LEDs or other electronics components on the PCB.**

**Further note that optical components shall not be cleaned with any chemicals - only micro fiber cloth may be used to remove fingerprints or other traces from handling.**