



## LEDIL F'FORM OPTICS

### REGINA REFLECTOR FOR NICHIA 119 / 219 LEDs



- Reflector is made of aluminum coated PC (120°C/248F) with protective laquer(110°C/230F)
- Best available optical efficiency, over 90%
- Small position pins, fastening to heat sink with droplets of glue.
- Compact dimensions 19mm x 15.3 mm (+ position pins 2.5mm)
- Please check fastening details from this link:  
([http://www.ledil.com/datasheets/DataSheet\\_GLUES.pdf](http://www.ledil.com/datasheets/DataSheet_GLUES.pdf))

### REFLECTOR TYPES

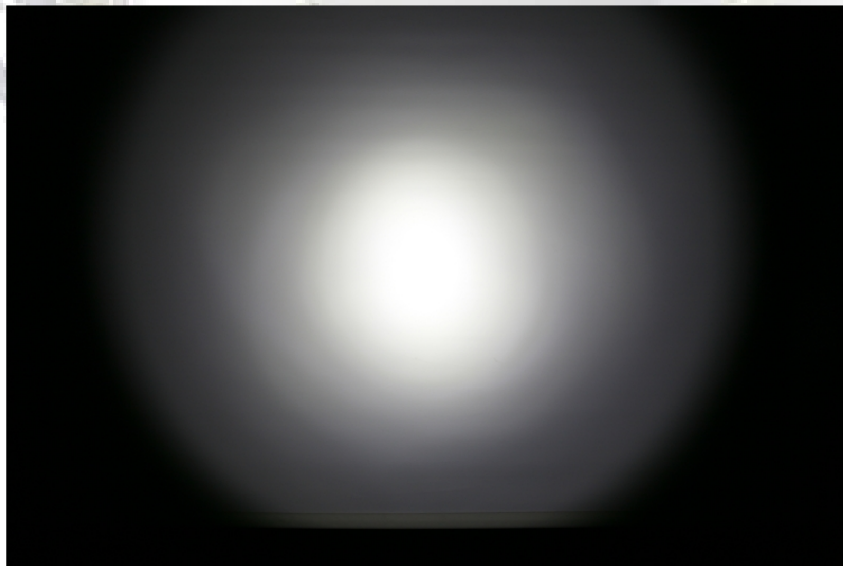
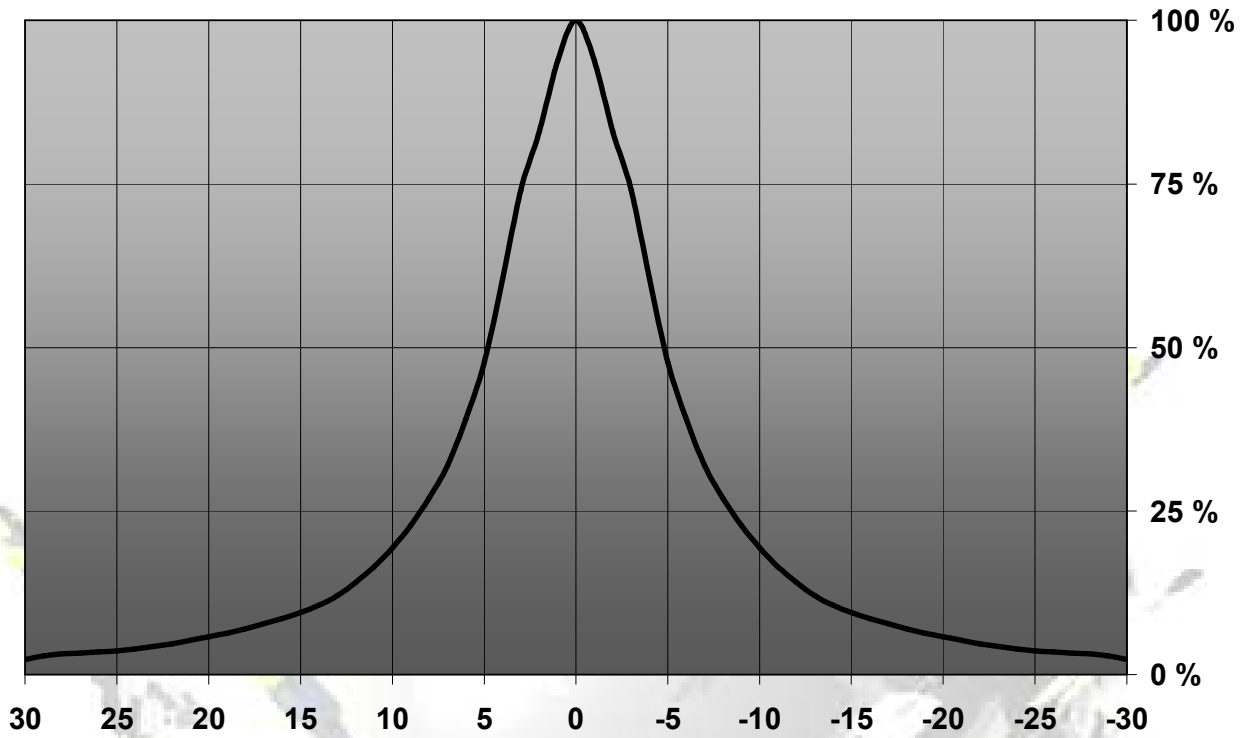
NAME	ORDERING CODE	FWHM Angle
REGINA reflector	C11347_Regina-N19	±5°



# LEDIL F'FORM OPTICS

## MEASUREMENTS

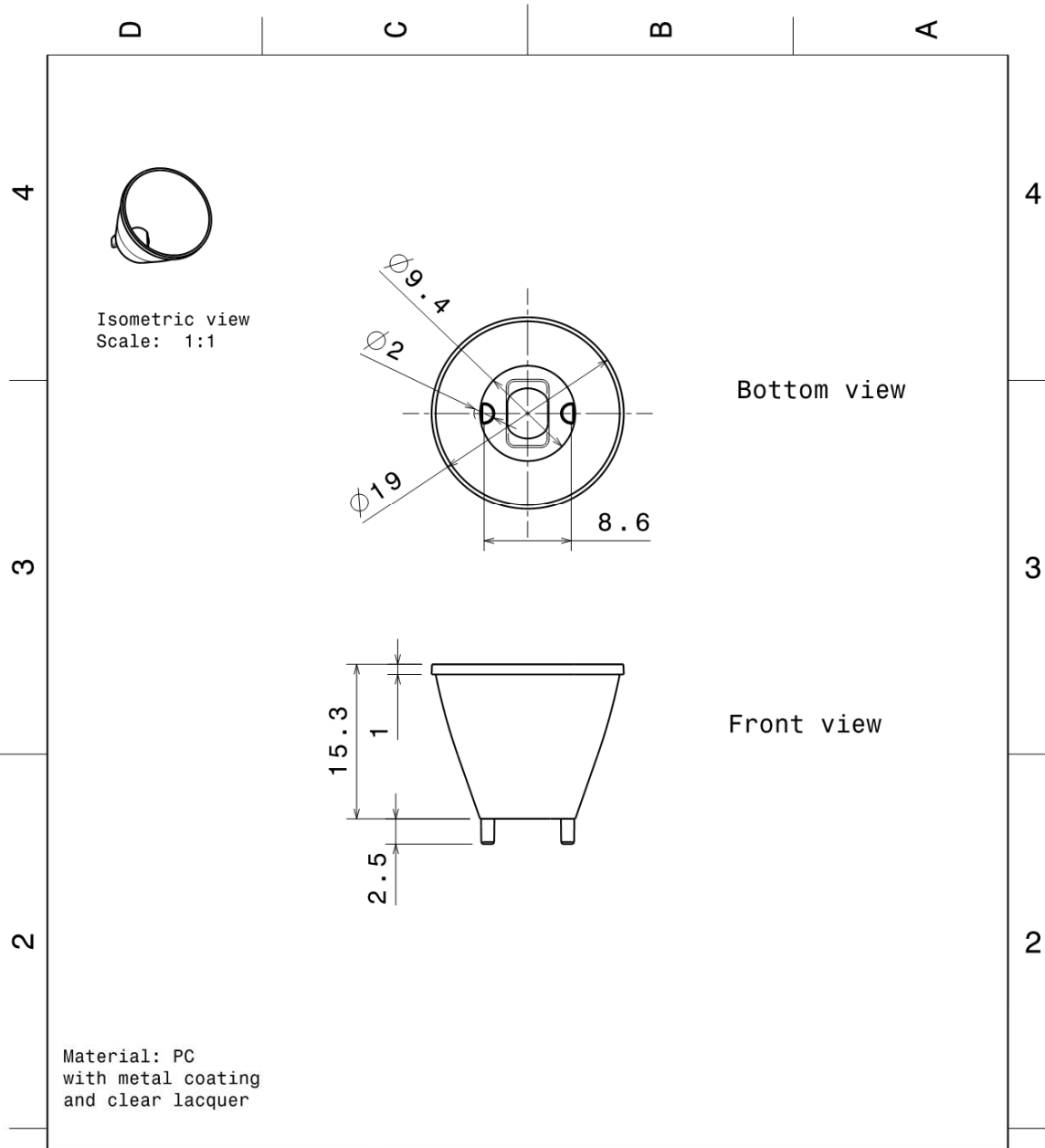
Relative Intensity of C11347\_Regina-N119





**LEDIL F'FORM OPTICS**

**DRAWINGS**



This drawing is our property. It can't be reproduced or communicated without our written agreement.		Ledil Oy Tehdaskatu 13 FIN-24100 SALO Finland	
DRAWING TITLE			
DRAWN BY pv	DATE 21.12.2009	Datasheet Regina Reflector	
CHECKED BY hh	DATE 14.12.2009	SIZE A4	DRAWING NUMBER C11347
DESIGNED BY pv	DATE 19.11.2009	SCALE 2:1	WEIGHT (g)
		SHEET	1 / 1