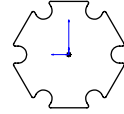
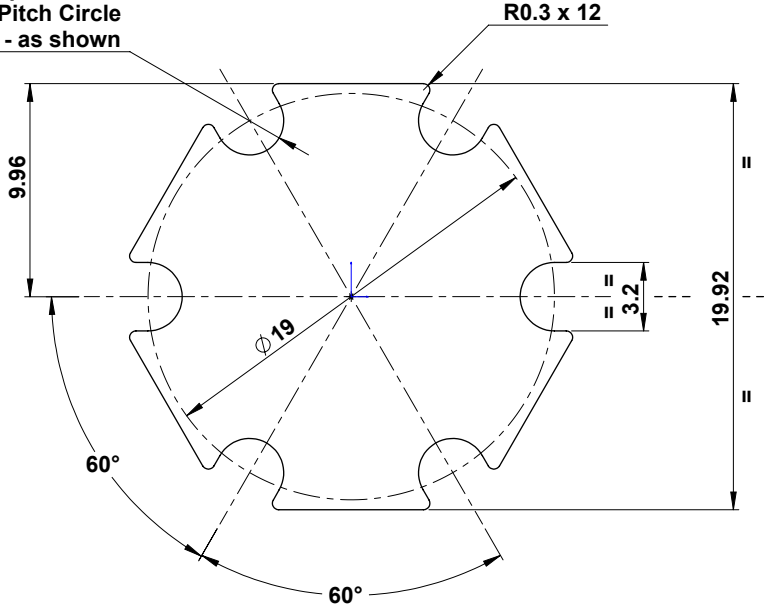


R1.6 x 6
Equally Spaced on
19.0mm. Pitch Circle
Diameter - as shown



REFERENCE VIEW
Scale:- Full Size

UNLESS OTHERWISE SPECIFIED:
DIMENSIONS ARE IN Millimetres
SURFACE FINISH:
TOLERANCES:
LINEAR:
ANGULAR:

	NAME	DATE
DRAWN	L. Simpson	14 th July 2012
CHK'D		
APPV'D		
MFG		
Q.A		

**t-Global
Technology**

MATERIAL:
t-Global Thermal
Material L37-3F
Thickness T = 0.45mm.

PART No.

LP0001/01-L37-3F-0.45-2A

WEIGHT:

DO NOT SCALE DRAWING REVISION
LP0001/01-Material Ref.- Thickness(T mm.)
Ordering No. LP0001/01-L37-3F-0.45-2A

TITLE:
LUMI-PAD
For LED Configuration

A4

SCALE: 4:1

SHEET 1 OF 1