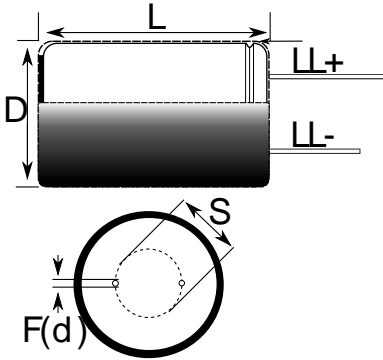


KEMET Part Number: ESH106M100AE3AA



Capacitor, aluminum, 10 uF, +/-20% Tol, -40/+105C, 100 VDC@105C



Note: '(d)' correspond to the letters used in the product bulletin

Dimensions (mm)		
Symbol	Dimension	Tolerance
D	6.30	+/-0.5
L	11.00	+1.5/-0
S	2.50	+/-0.5
LLPos	20.00	MIN
LLNeg	15.00	MIN
F	0.50	NOM

Packaging Specifications	
Package Kind:	Bulk
Package Type:	Bag
Package Quantity:	10000

General Information	
Supplier:	KEMET
Application:	105C
Part Type Description:	High CV Single Ended Aluminum Electrolytic
Lead Type:	Straight
RoHS:	Yes

Specifications	
Capacitance:	10 uF
Voltage:	100 VDC
Tolerance:	+/-20%
Voltage:	125 VDC (Surge)
Life:	2000 Hrs
Rated Temperature:	105C
Temperature Range:	-40/+105C
Leakage Current:	10 uA
Leakage Condition:	2Min/20C
Dissipation Factor:	10%
Current/Ripple Current:	65 mA (120Hz 105C)