

PRODUCT NO.	INSULATOR	THERMOCOMPRESSION TAPE
10030573-100LF	NO	NO
10030573-110LF	YES	NO
10030573-200LF	NO	NO
10030573-201LF	NO	YES
10030573-210LF	YES	NO
10030573-300LF	NO	NO
10030573-310LF	YES	NO

INSULATOR (OPTION)

METAL SHIELD

10030573-1X0LF

10030573-2X0LF

10030573-3X0LF

NOTES:
1. MATERIAL PROPERTIES:
METAL SHIELD : STAINLESS STEEL, SURFACE FINISH : MATTE.
INSULATOR : POLYESTER FILM WITH ADHESIVE, 3M 1350 OR EQUIVALENT.
2. PART NUMBER SCHEME:
10030573- X X X L F
X: 0: WITHOUT THERMOCOMPRESSION TAPE
1: WITH THERMOCOMPRESSION TAPE
INSULATOR
0: NO
1: STANDARD
SHIELD TYPE NO.
1: STANDARD (CLOSE-END)
2: EXTENDED (OPEN-END)

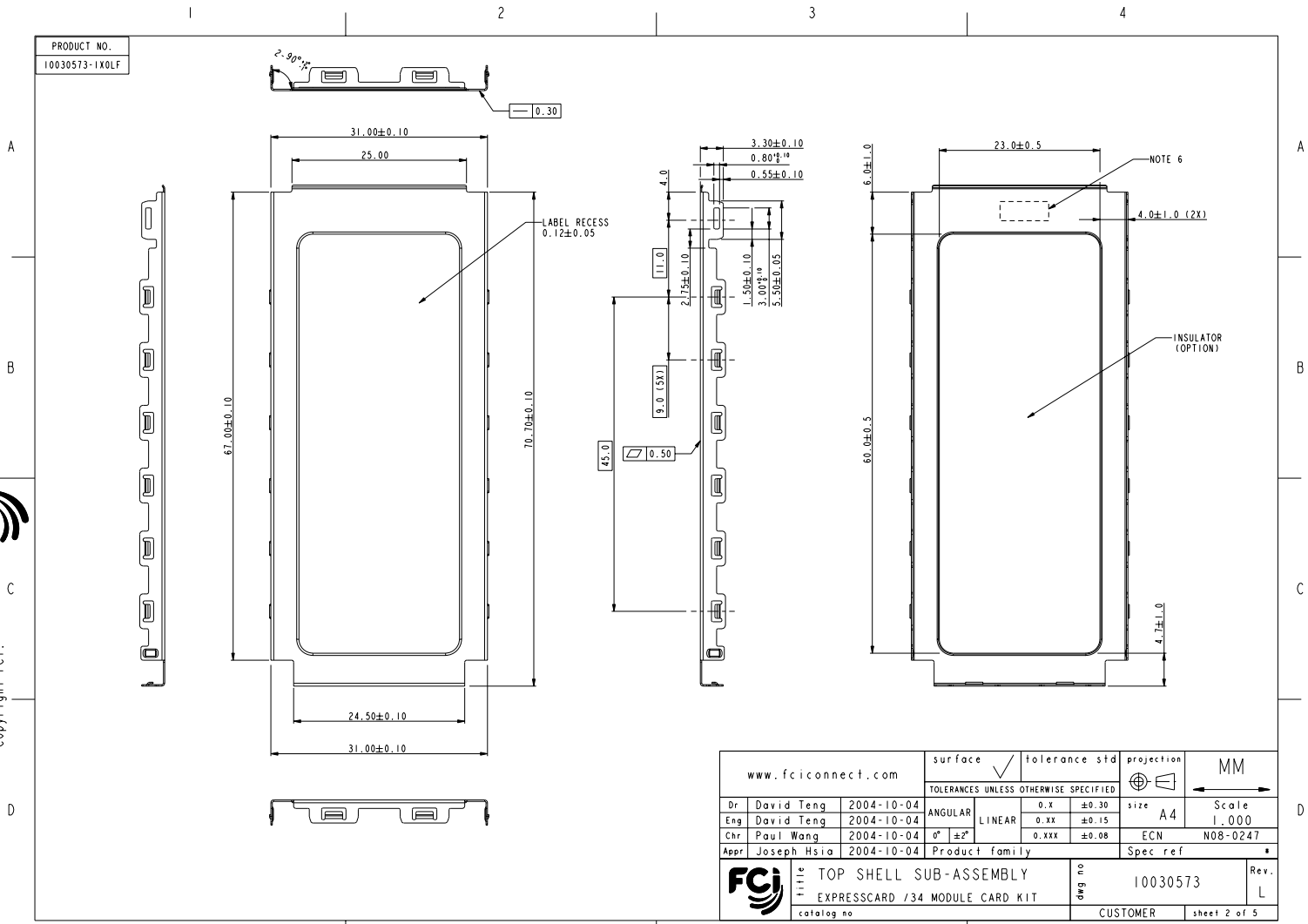
3. PRODUCT PERFORMANCE PER SPEC. GS-12-292.
4. PACKAGING SPEC. PER GS-14-927.
5. THIS PRODUCT IS ROHS COMPLIANT, AND MEETS EUROPEAN UNION DIRECTIVES AND OTHER COUNTRY REGULATIONS AS PER GS-22-008.
6. DATE CODE FORMAT: WWYY; FOR EXAMPLE: 2207 MEANS WEEK 22 AND YEAR 2007.

rev	ech no	dr	date
H	N07-0078	HB	2007-03-16
J	N07-0147	LONG	2007-06-29
K	N07-0201	SH	2007-07-28
L	N08-0247	R.B	2008/11/12

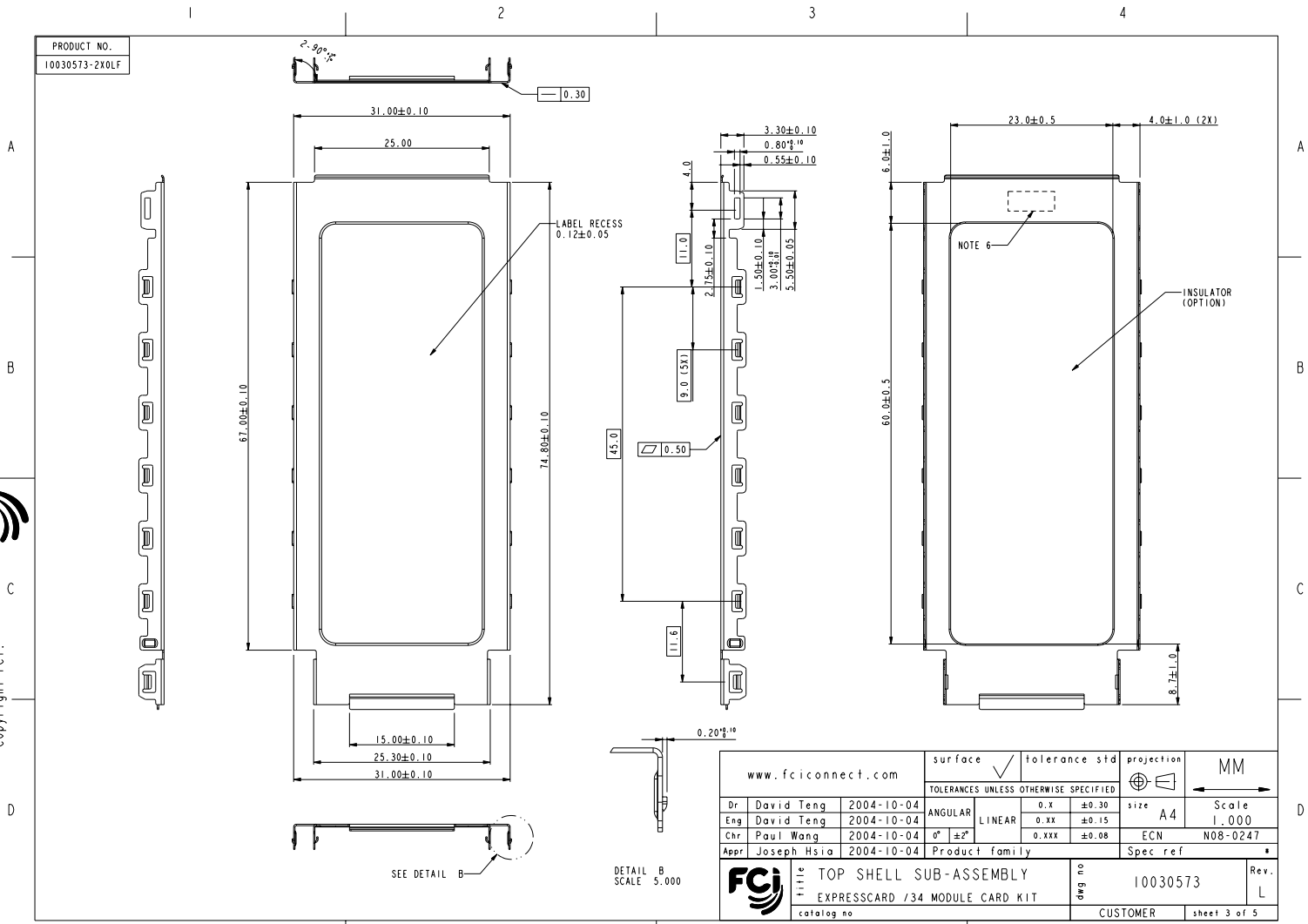
www.fciconnect.com		surface	tolerance std	projection	MM
Dr DAVID TENG 2004-10-04		ANGULAR	0.X ±0.30	size A4	Scale 1.000
Eng DAVID TENG 2004-10-04		LINEAR	0.XX ±0.15	ECN	N08-0247
Chr PAUL WANG 2004-10-04		0° ±2°	0.XXX ±0.08	Spec ref	
Appr JOSEPH HSIA 2004-10-04		Product family			
Title TOP SHIELD SUB-ASSEMBLY		ang no 10030573		Rev. L	
EXPRESSCARD/34 MODULE CARD KIT		CUSTOMER		sheet 1 of 5	
catalog no 10030573					

Copyright FCI.

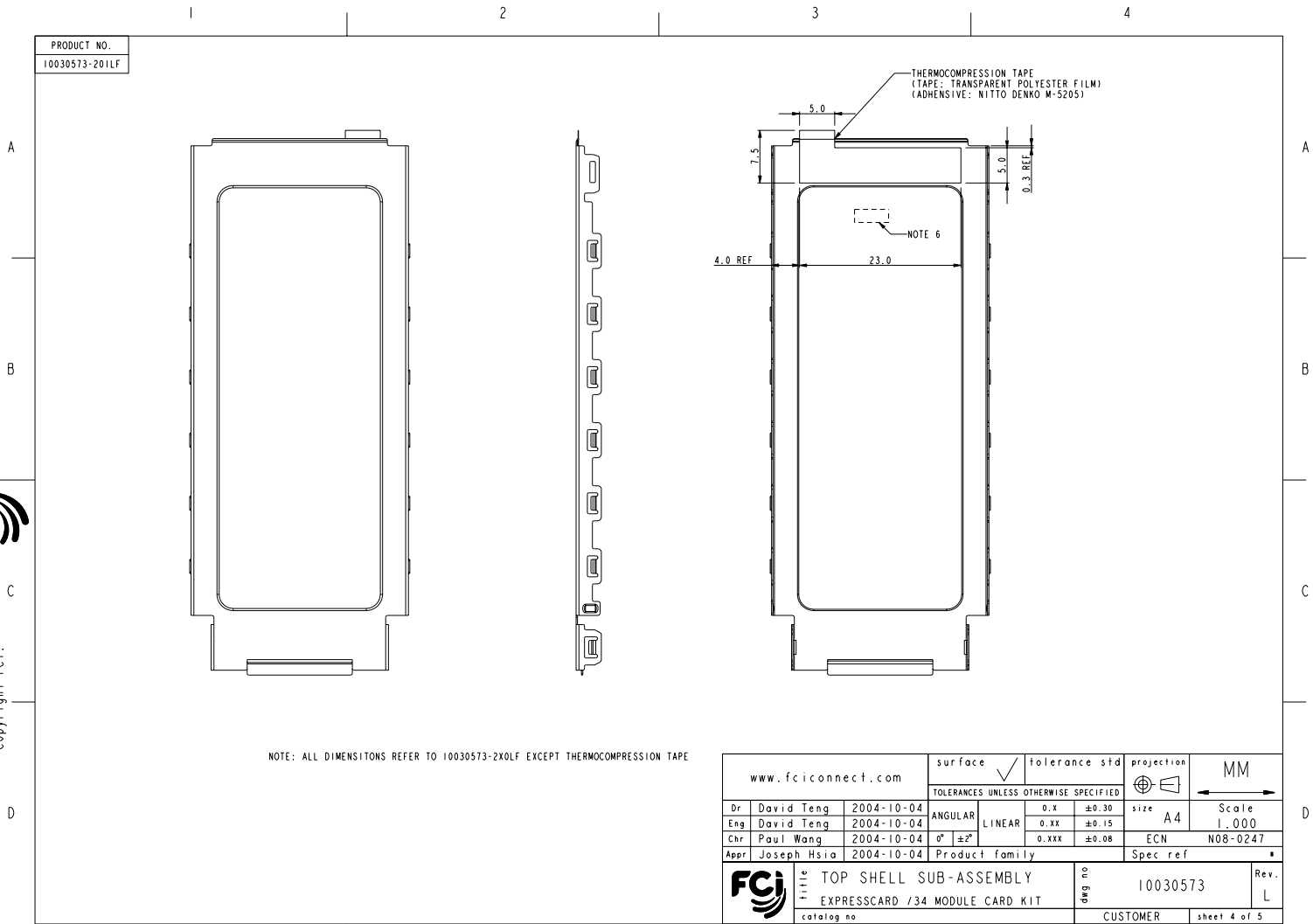
REV F - 2006-04-17



FCI
Copyright FCI.

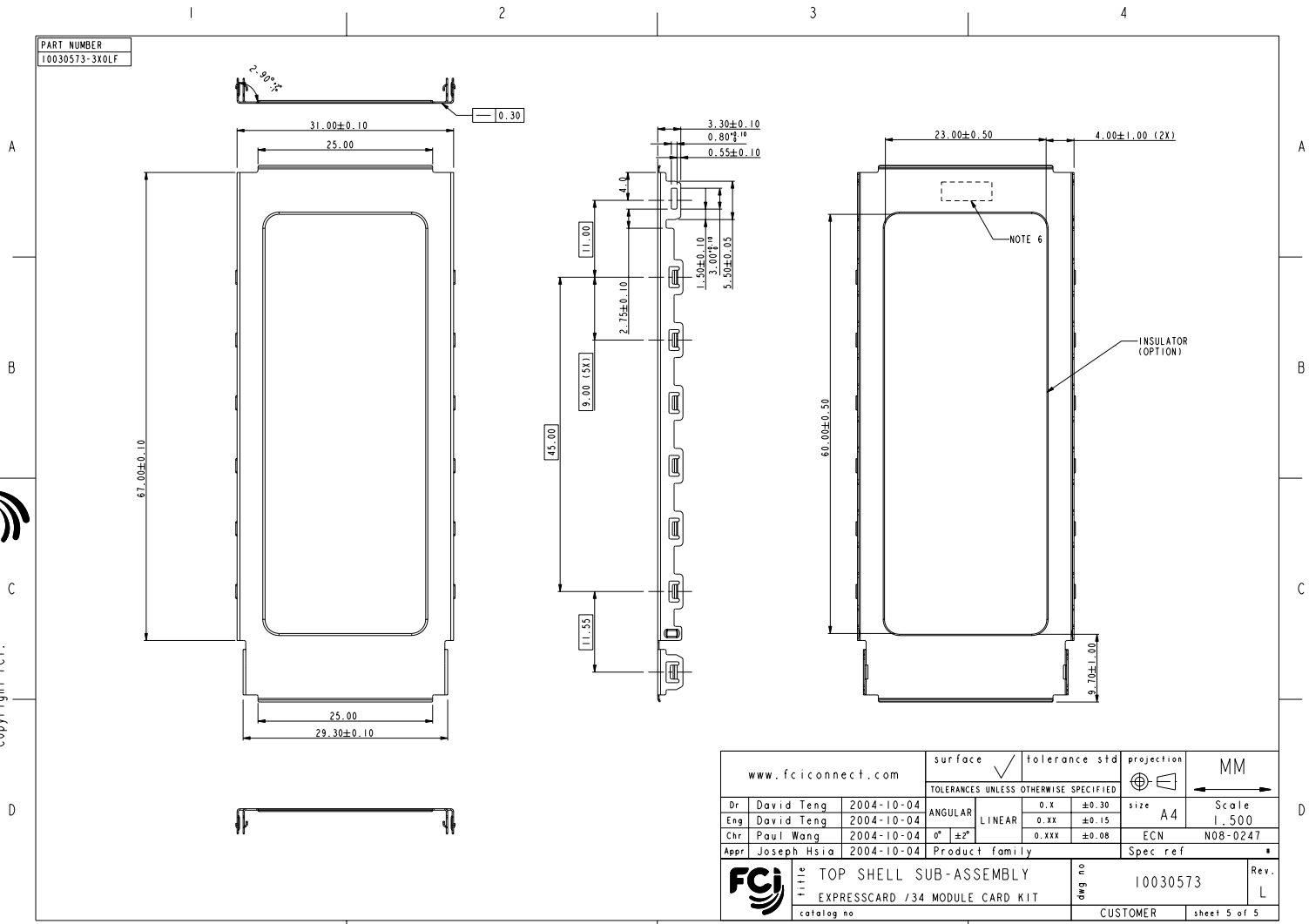


REV F - 2006-04-17



Copyright FCI.

REV F - 2006-04-13



FCI
Copyright FCI.