

# 9181 COMPACT FLASH TYPE II KIT



AVX/Elco is able to offer a COMPACT FLASH(C/F) TYPE II Card Kit that comes with a standard plastic extension. The C/F TYPE II Card Kit can be used for various wireless related applications, including:

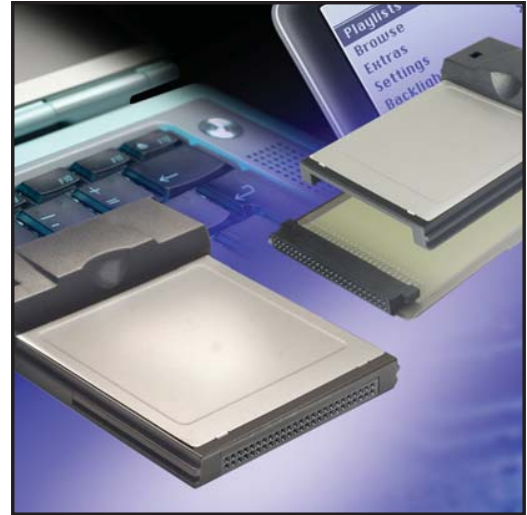
- PDA (personal digital assistance)
- Pagers
- Digital camera

The C/F TYPE II Card Kit consists of stainless steel covers, 50-position connector, plastic extensions and a plastic frame. The C/F TYPE II Card Kit obtains its rigidity from a unique snap feature design that locks the metal covers onto the plastic frame. The metal covers have an insulating film applied to them; this ensures that there is no short circuit between the components and the metal covers.

The unique design of the kit can easily be assembled using a very simple and inexpensive bench press tool, which allows the covers to snap into the plastic frame.

AVX/Elco can also offer custom solutions that allows the Design Engineer to incorporate SIM card reader, antenna, LEDs and plastic extensions to develop Cards for applications relating to; GPRS, WLAN or Edge technology (see custom option). AVX/Elco can support custom design solutions by offering 3D CAD solid modelling and SLA (stereolithography), this allows the creation of prototype samples in a matter of weeks for customer evaluation.

AVX/Elco has many years of experience in offering standard and custom solution cards and has manufacturing capabilities that can meet low to high production requirements of the end user.



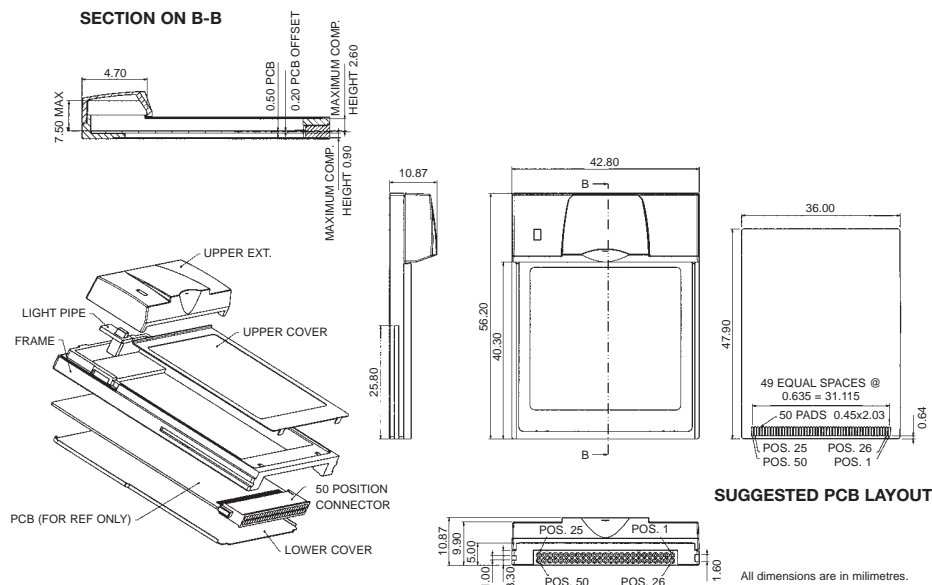
## KEY FEATURES AND BENEFITS

Standard plastic extensions.

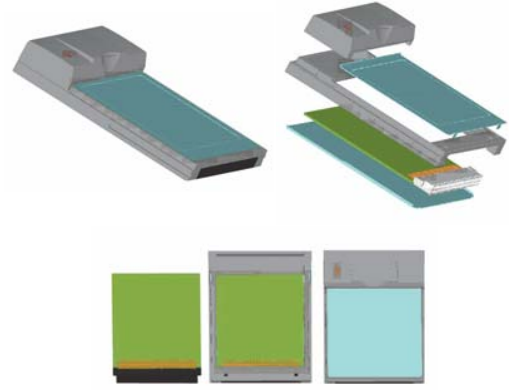
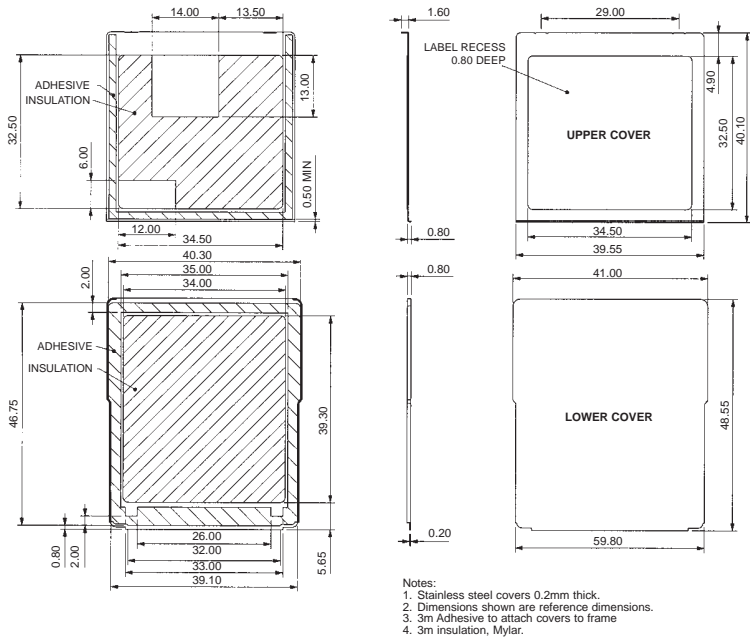
Easy to assemble using a simple bench press tooling.

Metal covers supplied with plastic insulating film.

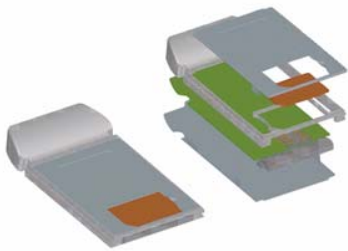
Able to customise the kit so that SIM card reader, antenna or a plastic extension can be incorporated into the kit.



# 9181 COMPACT FLASH TYPE II KIT



## CUSTOM SOLUTION



## HOW TO ORDER

**58**  
T

**9181**  
T

**000**  
T

**000**  
T

**003**  
T

Standard Kit consists of

- 50 position connector
- Top/bottom metal cover
  - Plastic frame
  - Plastic extension



**USA**

AVX Myrtle Beach, SC  
Corporate Offices  
Tel: 843-448-9411  
Fax: 843-448-1943

**EUROPE**

AVX Limited, England  
European Headquarters  
Tel: +44 (0)1252 770000  
Fax: +44 (0)1252 770001

**ASIA-PACIFIC**

AVX/Kyocera, Singapore  
Asia-Pacific Headquarters  
Tel: (656) 6286-7555  
Fax: (656) 6488-9880